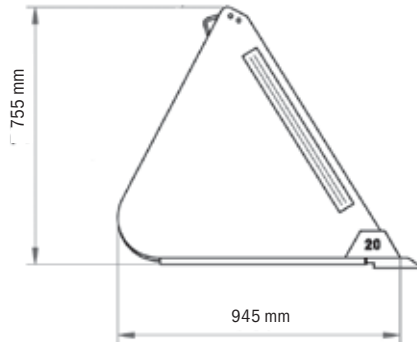


## »Heavy load« heavy-duty bucket

For wheel and telescopic loaders

- » Painted version
- » Heavy scrape rail made of wear-resistant high-tensile steel 25 x 200 mm HB 450
- » Optimum workmanship from a single piece with reinforcing profile
- » Tapered design ensures bulk materials slide off more easily



Art.no.	Width	Content approx.	Weight approx.	Qty.
SGSFLM000010	2000 mm	0.9 m <sup>3</sup>	500 kg	Pcs.
SGSFLM000007	2200 mm	1.0 m <sup>3</sup>	540 kg	Pcs.
SGSFLM000008	2400 mm	1.1 m <sup>3</sup>	580 kg	Pcs.
SGSFLM000009	2600 mm	1.2 m <sup>3</sup>	620 kg	Pcs.
SGSFLM000011	2800 mm	1.3 m <sup>3</sup>	660 kg	Pcs.