

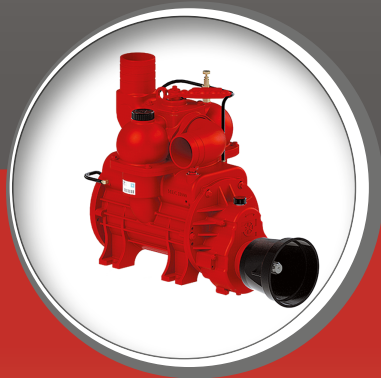
Catalogo generale ricambi

General spare parts catalogue

Catalogue générale des pièces de rechange

Ersatzteile-katalog

Catálogo de piezas



Battioni®
Pagani

Setting the pace since 1953

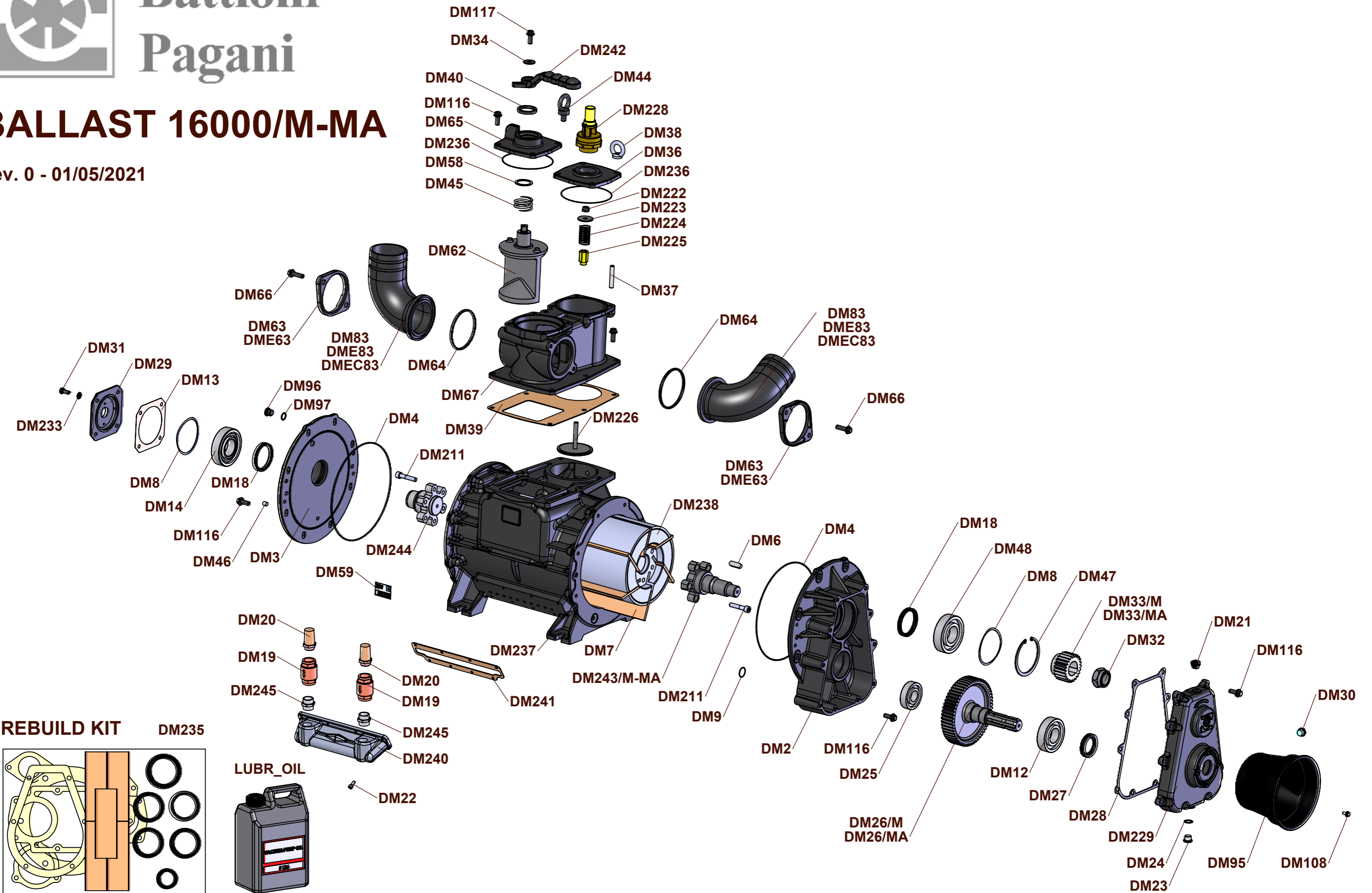
2021



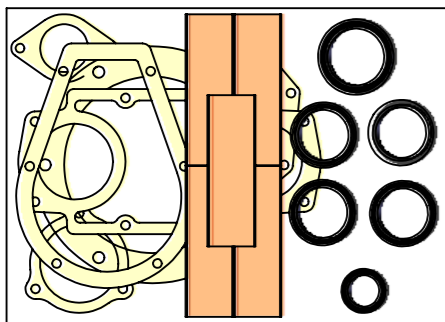
Battioni®
Pagani

BALLAST 16000/M-MA

Rev. 0 - 01/05/2021



REBUILD KIT DM235



LUBR_OIL

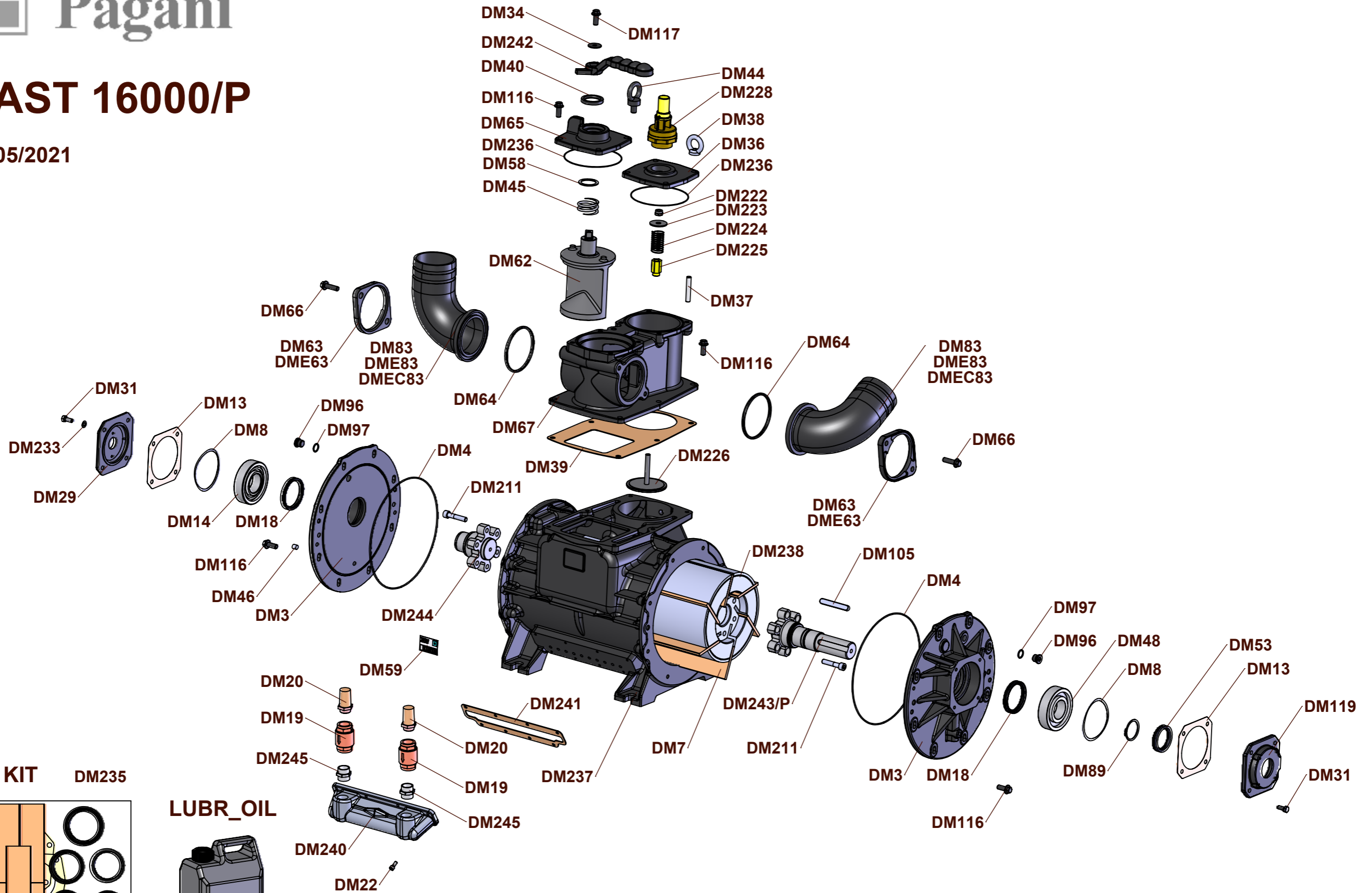




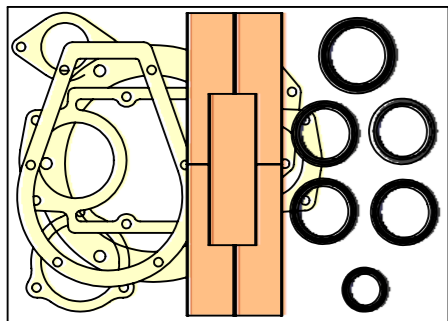
Battioni®
Pagani

BALLAST 16000/P

Rev. 0 - 01/05/2021



REBUILD KIT DM235



LUBR_OIL

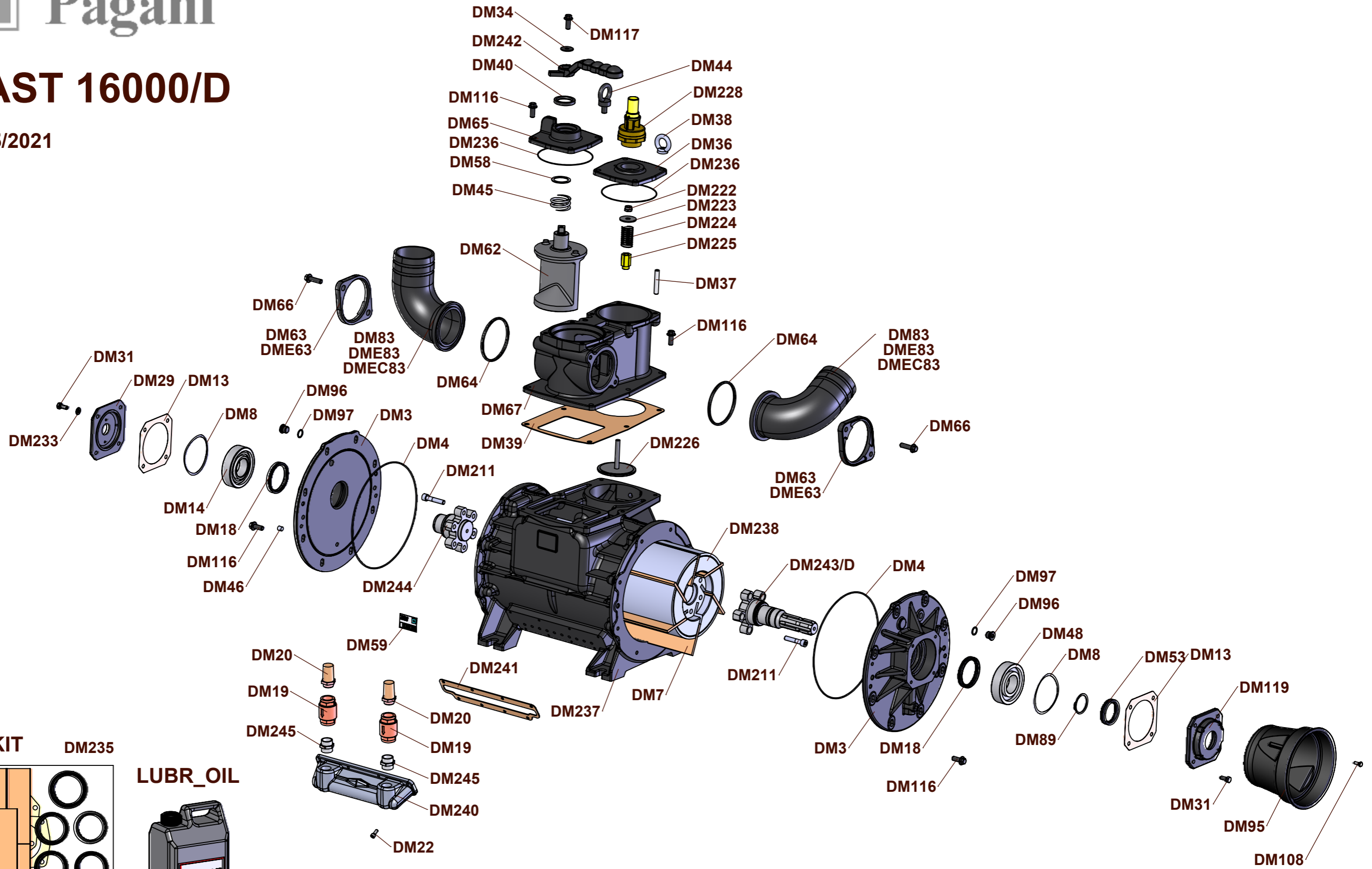




Battioni® Pagani

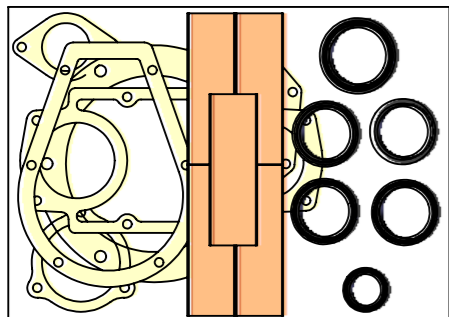
BALLAST 16000/D

Rev. 0 - 01/05/2021



REBUILD KIT

DM235



LUBR_OIL

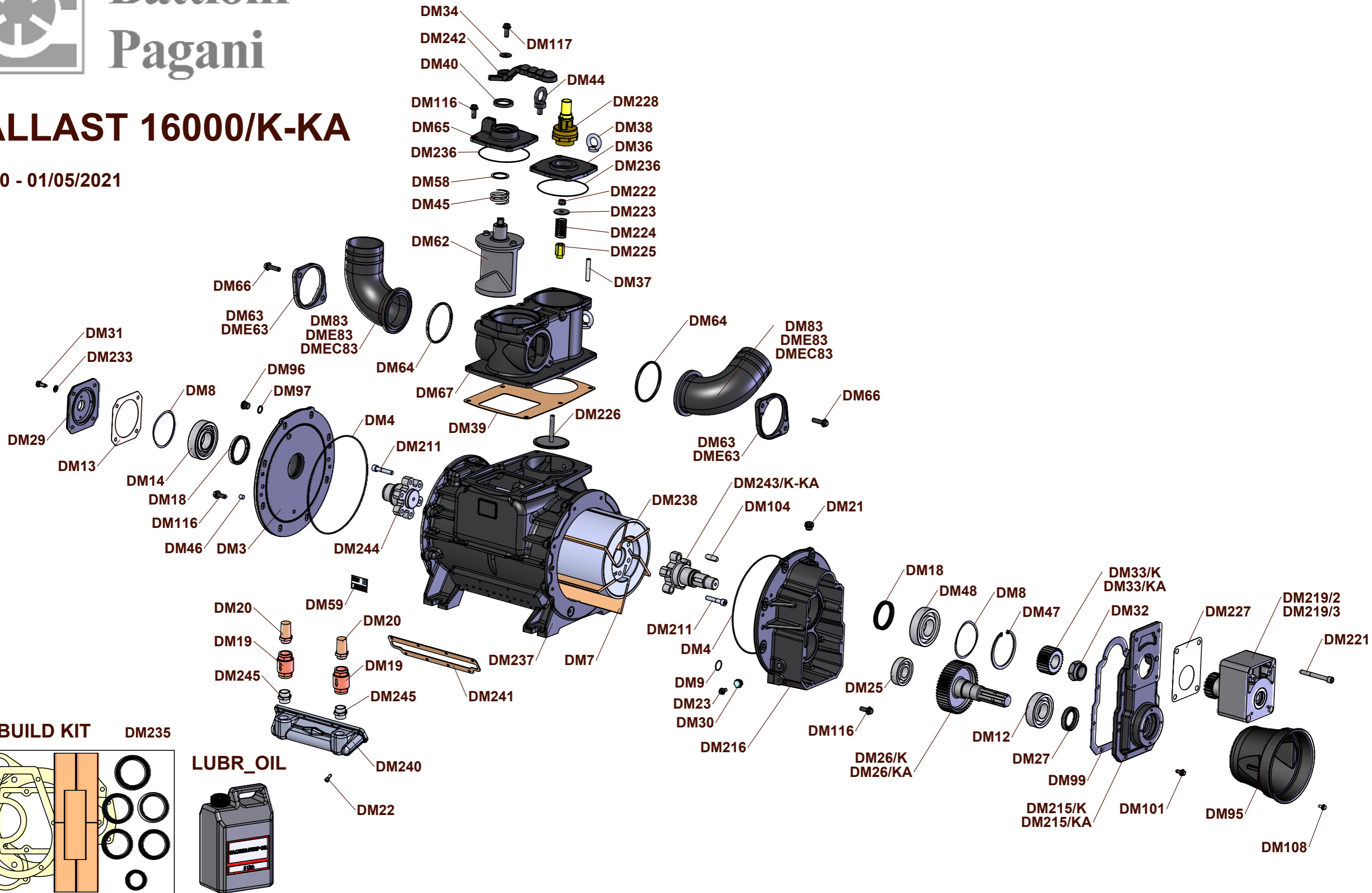




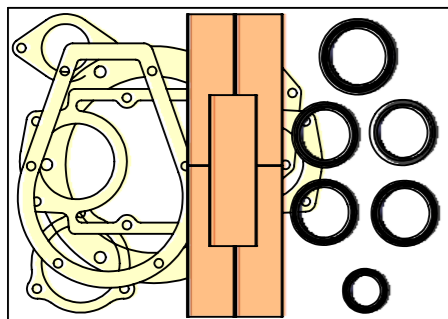
Battioni®
Pagani

BALLAST 16000/K-KA

Rev. 0 - 01/05/2021



REBUILD KIT DM235



LUBR_OIL





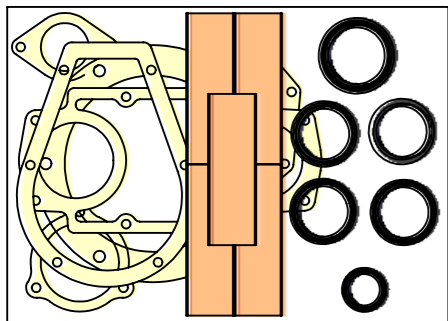
Battioni®
Pagani

BALLAST 16000/G-GA

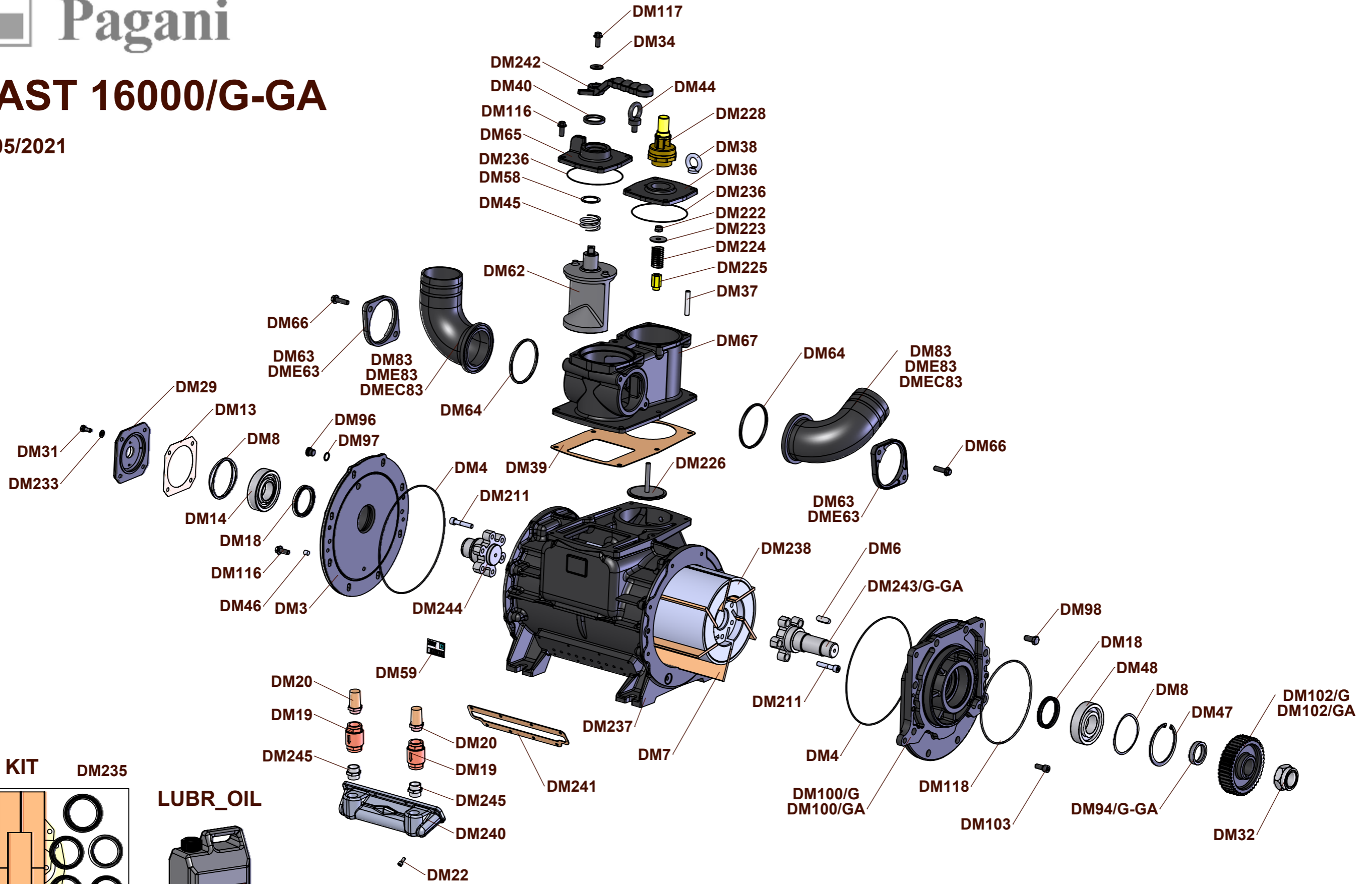
Rev. 0 - 01/05/2021

REBUILD KIT

DM235



LUBR_OIL





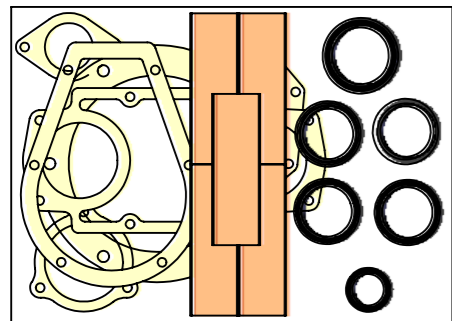
Battioni®
Pagani

BALLAST 16000/GA GARDA EVO CON DUE LEVE

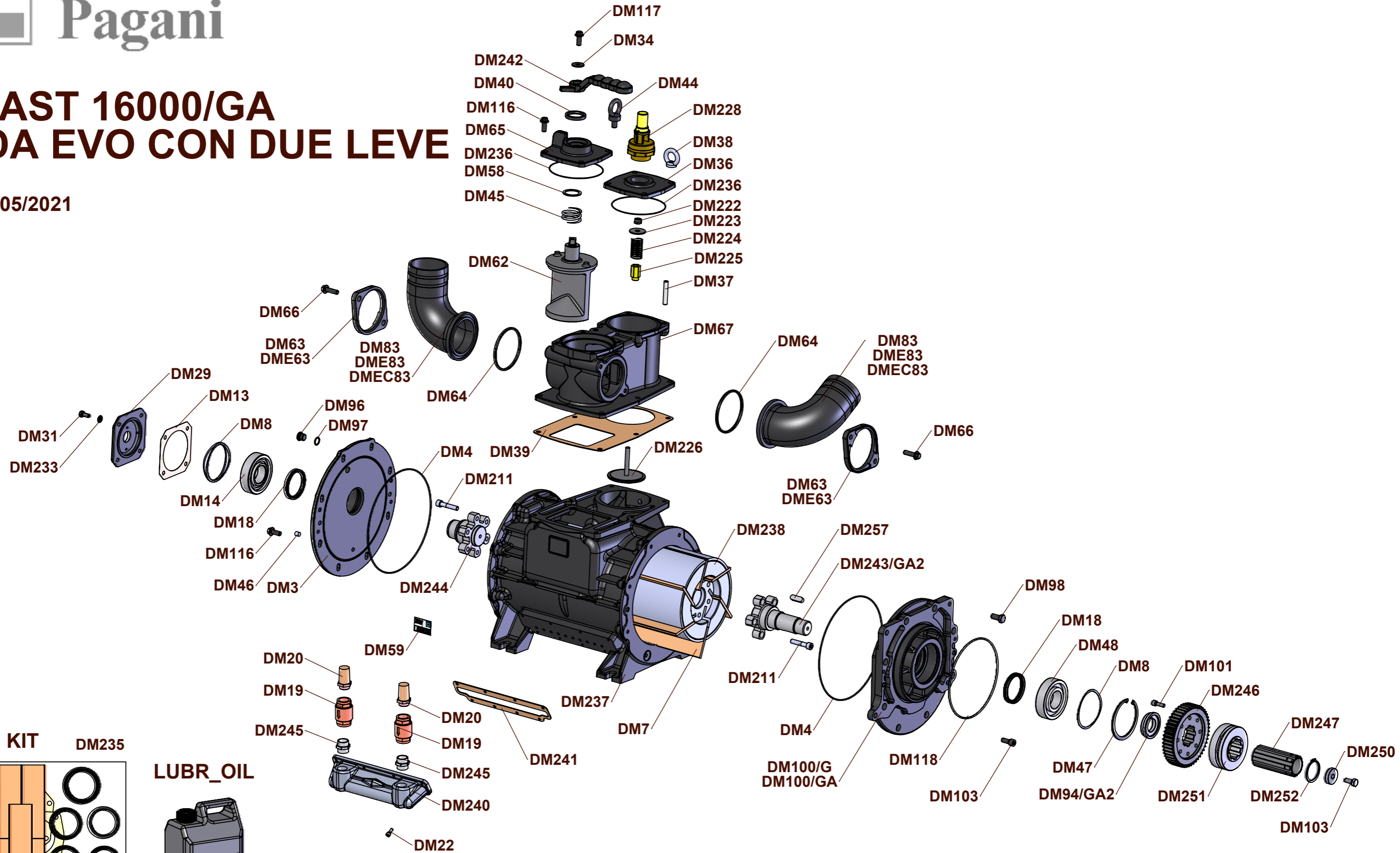
Rev. 0 - 01/05/2021

REBUILD KIT

DM235



LUBR_OIL

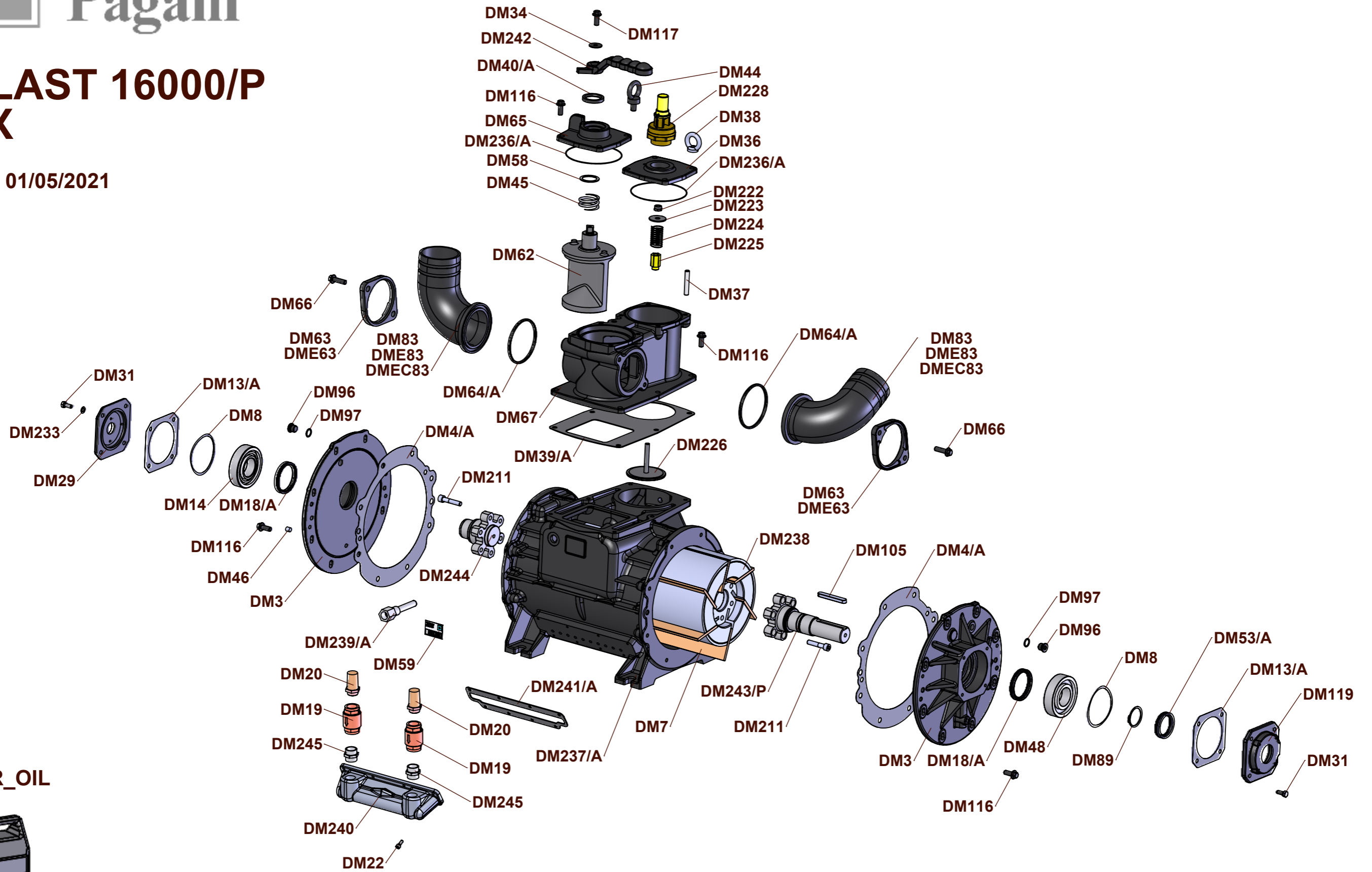




Battioni®
Pagani

BALLAST 16000/P ATEX

Rev. 0 del 01/05/2021



LUBR_OIL

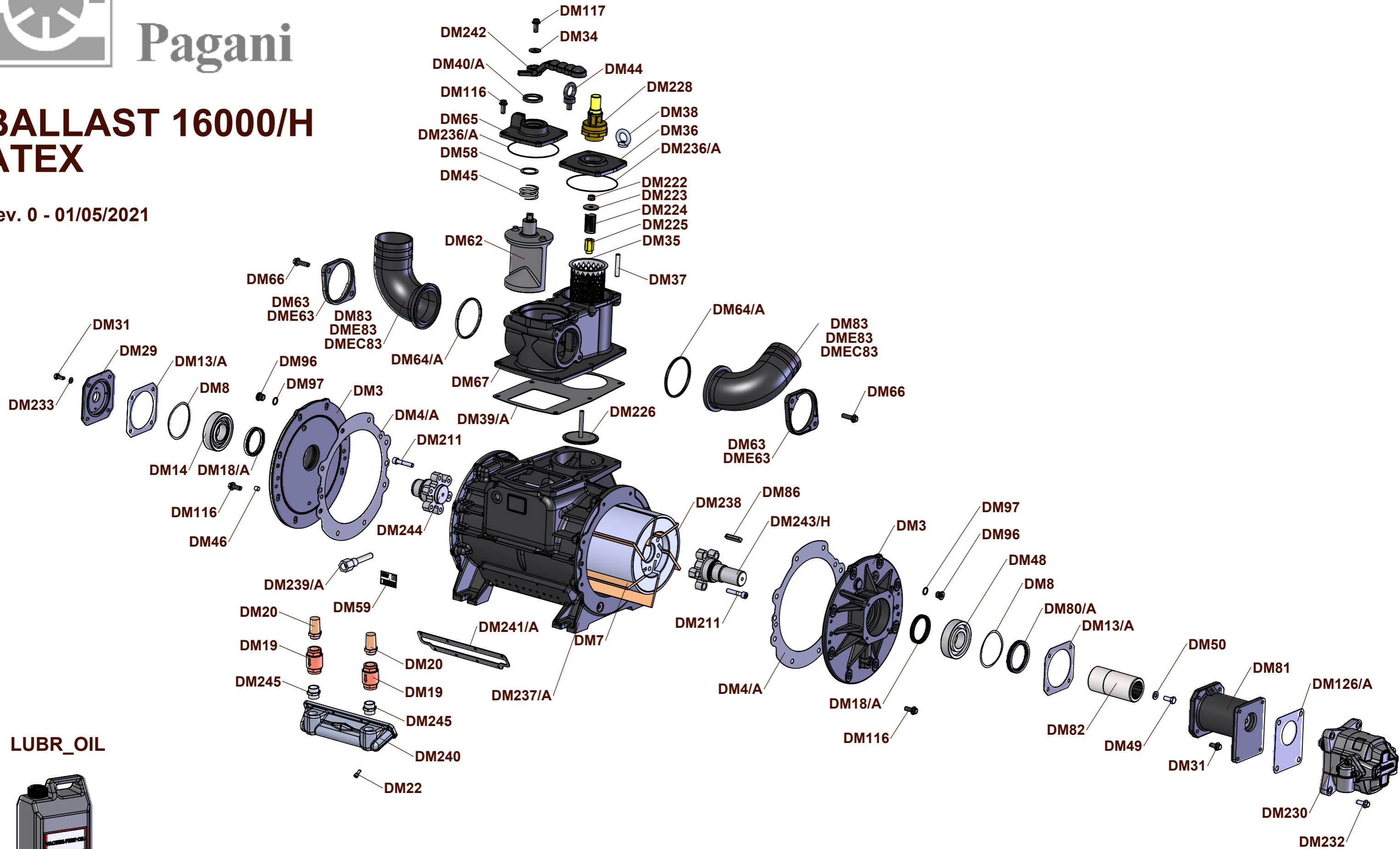




Battioni®
Pagani

BALLAST 16000/H ATEX

Rev. 0 - 01/05/2021



LUBR_OIL

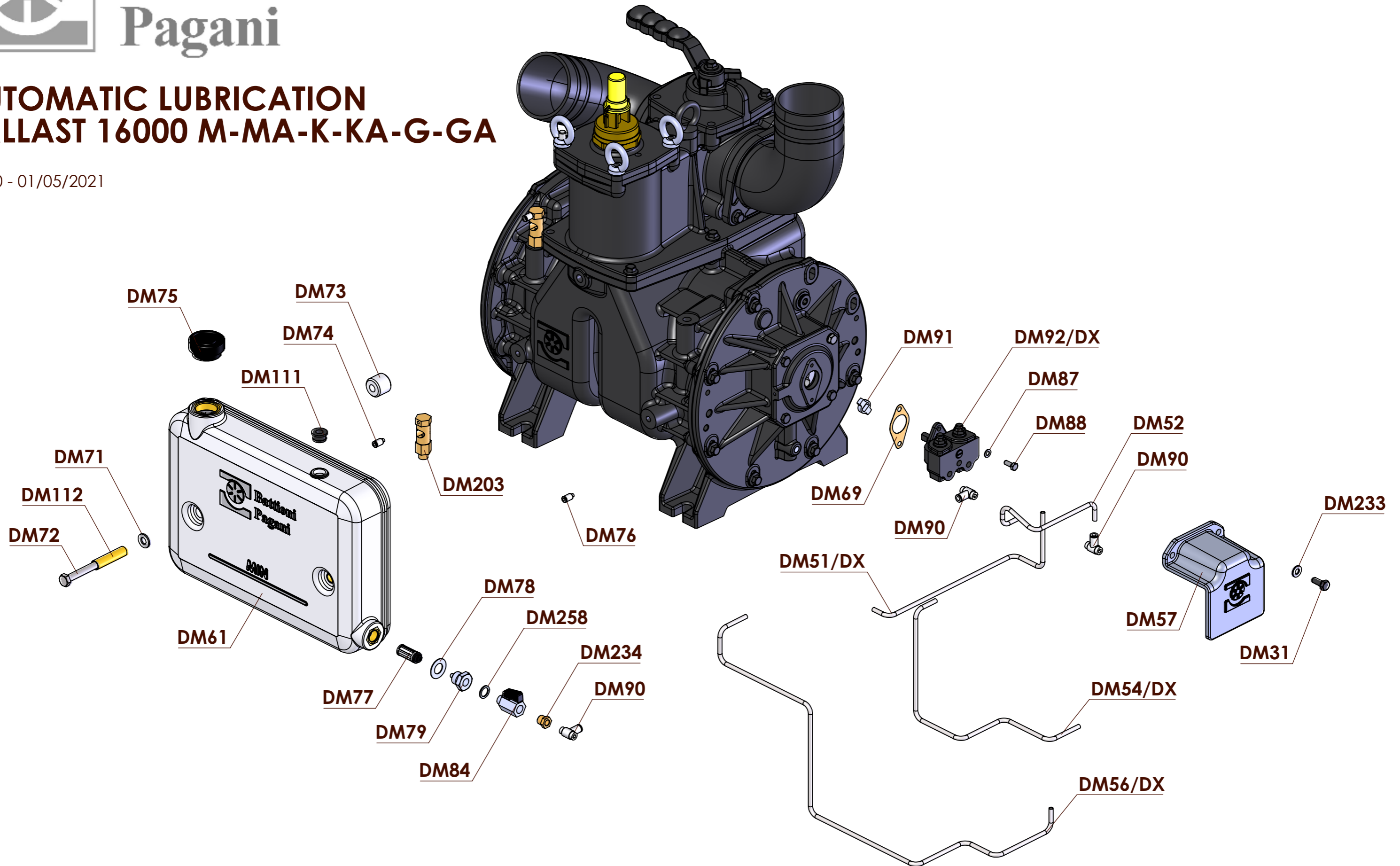




Battioni®
Pagani

AUTOMATIC LUBRICATION BALLAST 16000 M-MA-K-KA-G-GA

Rev.0 - 01/05/2021

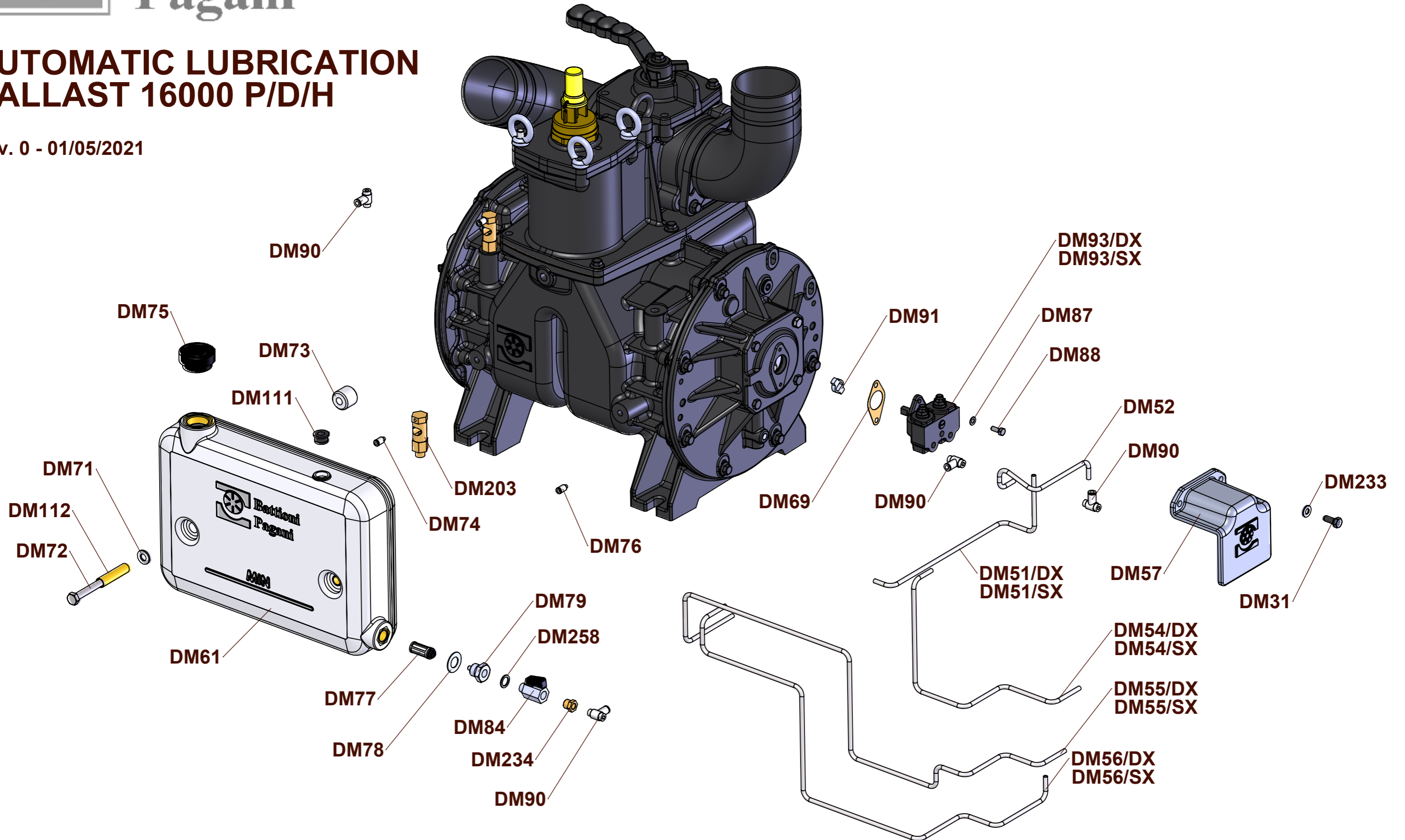




Battioni® Pagani

AUTOMATIC LUBRICATION BALLAST 16000 P/D/H

Rev. 0 - 01/05/2021

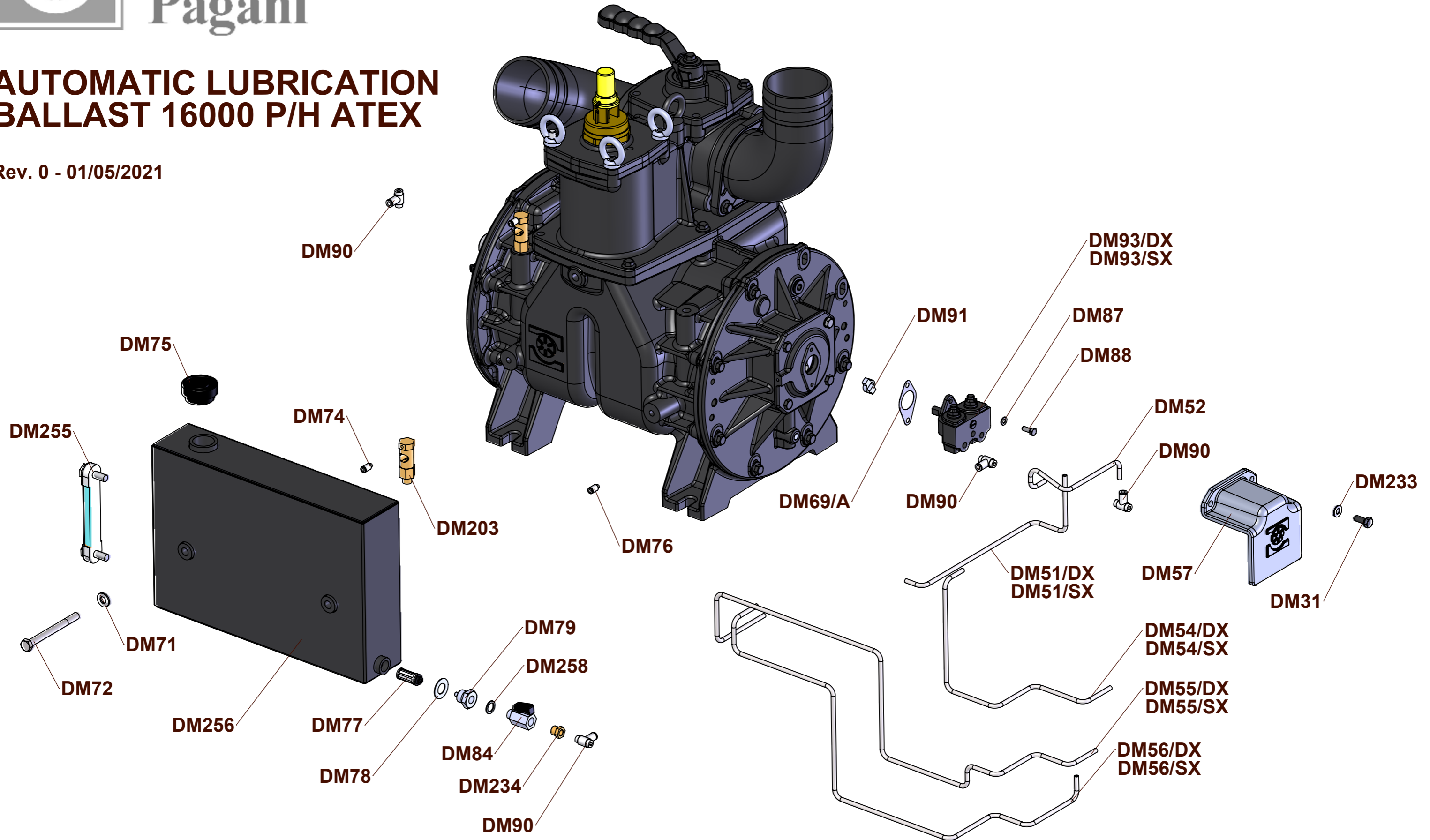




Battioni®
Pagani

AUTOMATIC LUBRICATION BALLAST 16000 P/H ATEX

Rev. 0 - 01/05/2021



CODE	ARTICLE	DESCRIZIONE	DESCRIPTION	Q.TY	UM
DM2	4010301032	SCATOLA MOLT. BALLAST 16000/M-MA	GEARBOX - BALLAST 16000/M-MA	1	n
DM3	4010401074	FLANGIA ANT. POST. BALLAST 16000	FRONT & BACK FLANGE BALLAST 16000	2	n
DM4	5030210078	ANELLO TENUTA OR 3101 257,8X2,62	SEAL RING - OR 3101 257,8X2,62	2	n
DM4/A	4020108067	GUARN. FLANGIA KPS 550-670-ATEX	FLANGE GASKET KPS 550-670-ATEX	2	n
DM6	5050707033	CHIAVETTA 12X8X36	KEY - 12X8X36	1	n
DM7	4070113226	PALETTA LONG LIFE BALLAST 16000 - 410X82,5X7,5	LONG LIFE BLADE BALLAST 16000 - 410X82,5X7,5	6	n
DM8	5012207003	ANELLO DI COMPENSAZIONE Ø 100	COMPRESSION & THRUST RING D100	2	n
DM9	5030210079	ANELLO DI TENUTA OR 2093 - 23,52X1,78	SEAL RING - OR 2093	2	n
DM12	5012107050	CUSCINETTO A SFERE 6308 - SKF	BALL BEARING 6308 - SKF	1	n
DM13	4030108023	GUARN. COPERCHIO ANT. E POST. WPT	BACK COVER GASKET - WPT	2	n
DM13/A	4030108075	GUARN. COPERCHIO ANT. E POST. WPT-ATEX	BACK COVER GASKET - WPT-ATEX	2	n
DM14	5012107049	CUSCINETTO A RULLI NU 309 - SKF	ROLL BEARING NU 309 - SKF	1	n
DM18	5030300045	PARAOLIO 60X75X10 DCP	OIL SEAL - 60X75X10 - DCP	2	n
DM18/A	5030300036	PARAOLIO 60X75X10 DCP - FKM	OIL SEAL - 60X75X10 - DCP - FKM	2	n
DM19	5040303030	VALVOLA UNIDIREZIONALE D 3/4" BALLAST	UNIDIRECTIONAL VALVE D 3/4" BALLAST	2	n
DM20	5080005004	FILTRO ARIA VALV. UNID. 3/4"	AIR FILTER - ONE-WAY VALVE 3/4"	2	n
DM21	5060605001	TAPPO CARICO OLIO D 3/8" GAS	OIL PLUG - D 3/8" GAS	1	n
DM22	5050107184	VITE M 6X20 TCEI ZINCATA	SCREW GALVANIZED- M 6X20 TCEI	8	n
DM23	5050906008	TAPPO D 3/8" GAS - DIN 908 -	PLUG - D 3/8" GAS	1	n
DM24	5050202008	RONDELLA D 17X22X1,5 ALLUMINIO	ALUMINIUM WASHER - D 17X22X1,5	1	n
DM25	5012107051	CUSCINETTO A SFERE 6306 - SKF	BALL BEARING 6306 - SKF	1	n
DM26/K	4020507005	INGR. CON ALBERO STAR-WPT Z52-M2,5	GEAR WITH SHAFT - Z52-M2,5 STAR-WPT	1	n
DM26/KA	4020507009	INGR. CON ALBERO STAR-WPT/MA Z44-M2,5	GEAR WITH SHAFT - Z44-M2,5 STAR/MA	1	n
DM26/M	4020507015	INGR. CON ALBERO BALLAST 16000/M Z58-M3	GEAR WITH SHAFT BALLAST 16000/M Z58-M3	1	n
DM26/MA	4020507016	INGR. CON ALBERO BALLAST 16000/MA Z47-M3	GEAR WITH SHAFT BALLAST 16000/MA Z47-M3	1	n
DM27	5030300014	PARAOLIO 40X62X10	OIL SEAL - 40X62X10	1	n
DM28	4030108067	GUARN. COP. SCATOLA BALLAST 16000	GASKET GEARBOX COVER BALLAST 16000	1	n
DM29	4010601187	COPERCHIO POSTERIORE SUPP. POMPA LA	LA PUMP SUPPORT BACK COVER	1	n
DM30	5060105004	TAPPO LIVELLO OLIO D 3/8" GAS	OIL LEVEL PLUG - D 3/8" GAS	1	n
DM31	5050107009	VITE M 8X20 TE	SCREW - M 8X20 TE	4	n
DM32	5050300003	DADO AUTOBLOCCANTE M 30X2X25	SELF-LOCKING NUT - M 30X2X25	1	n
DM33/K	4020607040	PIGNONE STAR-SE-WPT Z26-M2,5 10MM	PINION - Z26-M2,5 STAR-SE 10MM	1	n
DM33/KA	4020607041	PIGNONE STAR-SE-WPT/MA Z34-M2,5 10MM	PINION - Z34-M2,5 STAR-SE /MA 10MM	1	n
DM33/M	4020607060	PIGNONE BALLAST 16000/M Z23-M3	PINION BALLAST 16000/M Z23-M3	1	n
DM33/MA	4020607061	PIGNONE BALLAST 16000/MA Z34-M3	PINION BALLAST 16000/MA Z34-M3	1	n
DM34	5050207022	RONDELLA D 8X23X4 - DIN 6340	WASHER - 8X23X4 - DIN 6340	1	n
DM36	4010601179	COPERCHIO FILTRO BALLAST 16000	FILTER COVER BALLAST 16000	1	n
DM37	4050412015	PRIGIONIERO M 10X30 - UNI5911	STUD BOLT - M 10X30 - UNI 5911	4	n
DM38	5051206003	GOLFARE FEMMINA M 10 - CE - ZINCATO	FEMALE EYEBOLT - M 10 - CE GALVANIZED	4	n
DM39	4030109056	GUARNIZIONE COLLETTORE BALLAST 16000	MANIFOLD GASKET - BALLAST 16000	1	n
DM39/A	4030109068	GUARNIZIONE COLLETTORE BALLAST 16000 - ATEX	MANIFOLD GASKET - BALLAST 16000 - ATEX	1	n
DM40	5030300015	PARAOLIO 35X50X7 TC	OIL SEAL - 35X50X7 TC	1	n
DM40/A	5030300053	PARAOLIO 35X50X7 TC - FKM	OIL SEAL - 35X50X7 TC - FKM	1	n
DM44	5051206004	GOLFARE MASCHIO M 12 - CE -	MALE EYEBOLT - M 12 - CE	1	n
DM45	4012007011	MOLLA MEC 9-11-13500	SPRING - MEC 9-11-13500	1	n
DM46	5051007008	GRANO M 10X1	DOWEL - M 10X1	4	n
DM47	5050507028	ANELLO SEEGER D 100 I - DIN 472	CIRCLIP - D 100 I - DIN 472	1	n
DM48	5012107052	CUSCINETTO A SFERE 6309 - SKF	BALL BEARING 6309 - SKF	1	n
DM49	5050107020	VITE M 10X25 TE	SCREW - M 10X25 TE	1	n
DM50	5050207004	RONDELLA D 10	SMOOTH WASHER - D 10	1	n
DM51/DX	4080115005	TUBO OLIO BALLAST 16000 ASP.LA DX	OIL HOSE-BALLAST 16000-SUCTION L.A. CW	1	n
DM51/SX	4080115006	TUBO OLIO BALLAST 16000 ASP.LA SX	OIL HOSE-BALLAST 16000-SUCTION L.A. CCW	1	n
DM52	4080115001	TUBO OLIO BALLAST 16000 CUSC.POST	OIL HOSE-BALLAST 16000-BACK BEARING	1	n
DM53	5030300031	PARAOLIO 45X62X10	OIL SEAL - 45X62X10	1	n
DM53/A	5030300042	PARAOLIO 45X62X10 - FKM	OIL SEAL - 45X62X10 FKM	1	n
DM54/DX	4080115002	TUBO OLIO BALLAST 16000 SPIA POST.DX	OIL HOSE-BALLAST 16000-BACK OILER CW	1	n
DM54/SX	4080115009	TUBO OLIO BALLAST 16000 SPIA POST.SX	OIL HOSE-BALLAST 16000-BACK OILER CCW	1	n
DM55/DX	4080115004	TUBO OLIO BALLAST 16000 SPIA.ANT.DX	OIL HOSE-BALLAST 16000-FRONT OILER CW	1	n

CODE	ARTICLE	DESCRIZIONE	DESCRIPTION	Q.TY	UM
DM55/SX	4080115007	TUBO OLIO BALLAST 16000 SPIA ANT.SX	OIL HOSE-BALLAST 16000-FRONT OILER CCW	1	n
DM56/DX	4080115003	TUBO OLIO BALLAST 16000 CUSC.ANT.DX	OIL HOSE-BALLAST 16000-FRONT BEARING CW	1	n
DM56/SX	4080115008	TUBO OLIO BALLAST 16000 CUSC.ANT.SX	OIL HOSE-BALLAST 16000-FRONT BEARING CCW	1	n
DM57	4060505060	PROTEZIONE POMPA LA BALLAST 16000	AUTOMATIC LUBRIC.PUMP GUARD BALLAST16000	1	n
DM58	5050207031	RONDELLA PER CONO INVERT. MEC 9-11-13500	TEFLON WASHER REV.GEAR MEC 9-11-13500	1	n
DM59	5101800000	THERMO LABEL	THERMO LABEL	1	n
DM61	4011406012	SERBATOIO OLIO STAMPATO	OIL TANK THERMOFORMED	1	n
DM62	4010701021	CILINDRO INVERTITORE BALLAST 16000	REVERSING GEAR - BALLAST 16000	1	n
DM63	4010406017	FLANGIA PREMIGURVA D 80 - SE/STAR	FLANGE FOR ELBOW - STAR D80	2	n
DME63	4010406015	FLANGIA PREMIGURVA D 100 - SE/STAR	FLANGE FOR ELBOW - STAR D100	2	n
DM64	5030210008	ANELLO TENUTA OR 189 STAR UL	SEAL RING - OR 189 STAR UL	2	n
DM64/A	5030210095	ANELLO TENUTA OR 189 - FKM	SEAL RING - OR 189 - FKM	2	n
DM65	4010601186	COPERCHIO CILINDRO INVERTITORE BALLAST 16000	REVERSING GEAR COVER - BALLAST 16000	1	n
DM66	5050107054	VITE M 10X35 TE	SCREW - M 10X35 TE	4	n
DM67	4010501033	COLLETTORE BALLAST 16000 PREDISP.FILTRO	MANIFOLD BALLAST16000 FILTER PREDISPOSED	1	n
DM69	4030108011	GUARN. POMPA OLIO L.A.	OIL PUMP GASKET - L.A.	1	n
DM69/A	4030108059	GUARN. POMPA OLIO L.A. ATEX	OIL PUMP GASKET - L.A. ATEX	1	n
DM71	5050207038	RONDELLA D 10x25x1,5	FLAT WASHER - D 10x25x1,5	2	n
DM72	5050107106	VITE M 10X100 TE ZINCATA	SCREW - M 10X100 TE - GALVANIZED	2	n
DM73	4011707112	DISTANZIALE SERBATOIO PLASTICA	SPACER FOR PLASTIC TANK	2	n
DM74	5040303016	VALVOLA UNIDIREZIONALE D 1/8" X6	ONE-WAY VALVE - D 1/8" X6	2	n
DM75	5060605014	TAPPO CARICO OLIO D 1" GAS	CHARGE OIL PLUG - D 1" GAS	1	n
DM76	5040303020	RACCORDO D 1/8"X6 RAME	CONNECTOR - D 1/8"X6 COPPER	1	n
DM77	5080005001	FILTRO OLIO WPT LA	OIL FILTER - WPT LA	1	n
DM78	5050202005	RONDELLA D 18X24X1,5 ALLUMINIO	ALUMINIUM WASHER - D 18X24X1,5	1	n
DM79	4040407001	RIDUZIONE PORTAFILTRO WPT LA	FILTER REDUCTION - WPT LA	1	n
DM80	5030300016	PARAOLIO 65X85X10	OIL SEAL - 65X85X10	1	n
DM80/A	5030300038	PARAOLIO 65X85X10 - FKM	OIL SEAL - 65X85X10 - FKM	1	n
DM81	4011001043	SUPPORTO MOTORE IDR. WPT/HFR GR. 4	HYDRAULIC MOTOR SUPPORT WPT/HFR GR. 4	1	n
DM82	4020107018	MANICOTTO TRASM. MOT. IDR. STAR-WPT (II)	HYDR. MOTOR TRANSM. COUPLING STAR-WPT	1	n
DM83	4010901018	CURVA SCAR. ORIENT.MEC 9_13500-STAR D76	REVOLVING ELBOW - MEC 9_13500-STAR D 76	2	n
DME83	4010901019	CURVA SCAR. ORIENT.MEC 9_13500-STAR D80	REVOLVING ELBOW - MEC 9_13500-STAR D 80	2	n
DMEC83	4010901020	CURVA SCAR. ORIENT.MEC 9_13500-STAR D100	REVOLVING ELBOW - MEC 9_13500-STAR D 100	2	n
DM84	5040200001	RUBINETTO SERBATOIO OLIO D 1/4" GAS	OIL TANK DRAIN COCK - D 1/4" GAS	1	n
DM86	5050707028	CHIAVETTA 12X8X50	KEY - 12X8X50	1	n
DM87	5050207002	RONDELLA D 6	SMOOTH WASHER - D 6	2	n
DM88	5050107005	VITE M6X16 TE	SCREW - M 6X16 TE	2	n
DM89	5050507012	ANELLO SEEGER D 45 E	CIRCLIP - D 45 E	1	n
DM90	5040303017	RACCORDO D 1/8"X4X90° RAME	CONNECTOR - D 1/8"X4X90° COPPER	7	n
DM91	4010006002	GIUNTO DI COLLEGAMENTO L.F.	CONNECTOR JOINT - L.F.	2	n
DM92/DX	5080200026	POMPA LA 3 MAND. AL DX IIS	OIL PUMP - LA 3 WAYS AL DX IIS	1	n
DM93/DX	5080200030	POMPA LA 4 MAND. AL DX IIS	OIL PUMP - LA 4 WAYS AL DX IIS	1	n
DM93/SX	5080200032	POMPA LA 4 MAND. AL SX IIS	OIL PUMP - LA 4 WAYS AL SX IIS	1	n
DM94/G-GA	4011707116	DISTANZIALE BALL.16000 PERNO G-GA 1 LEVA	SPACER BALLAST16000 PIN GA 1 LEVER	1	n
DM94/GA2	4011707115	DISTANZIALE BALL.16000 PERNO GA 2 LEVA	SPACER BALLAST16000 PIN GA 2 LEVERS	1	n
DM95	4060505018	PROTEZIONE ALBERO GARDA-LEDRA CE	SHAFT GUARD - GARDA-LEDRA CE	1	n
DM96	5050906006	TAPPO D 16x1.5 - DIN 908 -	PLUG - D 16X1	1	n
DM97	5050202007	RONDELLA D 16X20X1,5 ALLUMINIO	ALUMINIUM WASHER - D 16X20X1,5	1	n
DM98	5050107028	VITE M 12X35 TE	SCREW - M 12X35 TE	4	n
DM99	4030108021	GUARN. COPERCHIO MOLT. STAR/K	GEARBOX COVER GASKET - STAR/K	1	n
DM100/G	4010401079	FLANGIA SUPPORTO DEC.BALLAST 16000/G	PUMP SUPP. FLANGE BALLAST 16000/G	1	n
DM100/GA	4010401075	FLANGIA SUPPORTO DEC.BALLAST 16000/GA	PUMP SUPP. FLANGE BALLAST 16000/GA	1	n
DM101	5050107016	VITE M 8X25 TCEI	SCREW - M 8X25 TCEI	8	n
DM102/G	4020607045	PIGNONE DEC. GARDA WPT/G Z45-M3 12MM	GARDA PINION - Z45-M3 WPT/G 12MM	1	n
DM102/GA	4020607042	PIGNONE DEC. GARDA WPT/GA Z56-M3 12MM	GARDA PINION - Z56-M3 WPT/GA 12MM	1	n
DM103	5050107026	VITE M 10X25 TCEI	SCREW - M 10X25 TCEI	8	n
DM104	5050707027	CHIAVETTA 10X8X30	KEY - 10X8X30	1	n
DM105	5050707016	CHIAVETTA 12X8X80	KEY - 12X8X80	1	n

CODE	ARTICLE	DESCRIZIONE	DESCRIPTION	Q.TY	UM
DM108	5050107107	VITE M 6x10 TEF - FL/ZIGR 8.8 -	GALVANIZED SCREW - M 6X10 TEF	4	n
DM111	4060310001	PASSATUBO CHIUSO	CLOSED TUBE-PASS	1	n
DM112	4011707113	INSERTO OTTONE SERBATOIO PLASTICA	INSERT BRASS PLASTIC OIL TANK	2	n
DM116	5050107109	VITE M 10X25 TEF - FL/ZIGR 8.8 -	SCREW - M 10X25 TEF - FL/ZIGR 8.8	18	n
DM117	5050107108	VITE M 8X25 TEF - FL/ZIGR 8.8 -	SCREW - M 8X25 TEF - FL/ZIGR 8.8	1	n
DM118	5030210050	ANELLO TENUTA OR 4775 NBR	SEAL RING - OR 4775 NBR	1	n
DM119	4010601133	COPERCHIO ANTERIORE WPT /P-D	FRONT COVER - WPT /P-D	1	n
DM126	4030108028	GUARN. SUPP. MOTORE IDR. GRUPPO 4	HYDRAULIC MOTOR SUPPORT GASKET - GR4	1	n
DM126/A	4030108060	GUARN. SUPP. MOTORE IDR. GRUPPO 4 - ATEX	HYDRAULIC MOTOR SUPPORT GASKET - GR4 - ATEX	1	n
DM203	5040200010	SPIA DI CONTROLLO	CHECK LIGHT	2	n
DM211	5050107103	VITE M 10X50 TCEI 12.9 UNI5931	SCREW - M 10X50 TCEI 12.9 UNI5931	12	n
DM215/K	4010601119	COPERCHIO SCATOLA MOLT. STAR/K GR.2-3 CE	GEARBOX COVER - STAR/K GR.2-3 CE	1	n
DM215/KA	4010601147	COPERCHIO SCATOLA MOLT. STAR/KA - GR.2-3	GEARBOX COVER - STAR/KA - GR.2-3	1	n
DM216	4010301033	SCATOLA MOLT. BALLAST 16000/K-KA	GEARBOX - BALLAST 16000/K-KA	1	n
DM219/2	6080200128	SUPPORTO POMPA IDR. STAR GR. 2 IIS	HYDRAULIC PUMP SUPPORT - STAR GR. 2 IIS	1	n
DM219/3	6080200129	SUPPORTO POMPA IDR. STAR GR. 3 IIS	HYDRAULIC PUMP SUPPORT - STAR GR. 3 IIS	1	n
DM221	5050107050	VITE M 10X90 TCEI	SCREW M 10X90 TCEI	4	n
DM222	5050300016	DADO AUTOBLOCCANTE M 10X1,5 VERGAL	SELF-LOCKING NUT - M 10X1,5 VERGAL	1	n
DM223	5050207008	RONDELLA TRANCIATA D 10X40	BLANK WASHER - D 10X40	1	n
DM224	4012007015	MOLLA PIATTELLO BALLAST-AIDA	SPRING FOR VALVE BALLAST-AIDA	1	n
DM225	4011707114	GUIDA PIATTELLO BALLAST-AIDA	GUIDE FOR VALVE BALLAST-AIDA	1	n
DM226	4010006026	PIATTELLO COMPLETO BALLAST 16000	VALVE FOR BALLAST 16000	1	n
DM227	4030108071	GUARN. SUPP. POMPA IDR. G.2 E G.3	HYDR. PUMP SUPPORT GASKET - G.2/G.3	1	n
DM228	5100200012	VALVOLA REGOLAZIONE VUOTO D 1"1/2	DEPRESSION VALVE - D 1"1/2	1	n
DM229	4010601180	COPERCHIO SCATOLA MOLT. BALLAST 16000	GEARBOX COVER BALLAST 16000	1	n
DM230	6080200061	MOTORE IDR. KM 40.87 SO GR.4 COMPL.	HYDRAULIC MOTOR KM 40.87 SO GR.4	1	n
DM232	5050107061	VITE M 12X45 TCEI	SCREW - M 12X45 TCEI	4	n
DM233	5050207003	RONDELLA D 8	SMOOTH WASHER - D 8	4	n
DM234	5040407001	RIDUZIONE D 1/4"X1/8" GAS	REDUCTION - D 1/4"X1/8" GAS	1	n
DM236	5030210083	ANELLO TENUTA OR 3525	SEAL RING - OR 3525	2	n
DM236/A	5030210096	ANELLO TENUTA OR 3525 - FKM	SEAL RING - OR3525 - FKM	2	n
DM237	4010101180	CORPO POMPA BALLAST 16000	HOUSING - BALLAST 16000	1	n
DM237/A	4010101193	CORPO POMPA BALLAST 16000 - ATEX	HOUSING - BALLAST 16000 - ATEX	1	n
DM238	4010220223	ROTORE COLATA CONTINUA BALLAST 16000	CONTINUOUS CASTING ROTOR - BIG MEC 16000	1	n
DM239/A	5090000123	TERMOSTATO - POZZ. 1/2" GAS	TEMPERATURE SWITCH - POZZ. 1/2" GAS	1	n
DM240	4010501035	DIFFUSORE BALLAST 16000	DIFFUSER BALLAST 16000	1	n
DM241	4030109055	GUARN. DIFFUSORE BALLAST 16000	DIFFUSER GASKET - BALLAST 16000	1	n
DM241/A	4030109067	GUARN. DIFFUSORE BALLAST 16000 - ATEX	DIFFUSER GASKET - BALLAST 16000 - ATEX	1	n
DM242	4010801043	MANIGLIA MEC 9000-13500	HANDLE - MEC 9-13500	1	n
DM243/D	4011907118	PERNO ANTERIORE BALLAST 16000/D-6P	FRONT PIN BALLAST 16000/D-6P	1	n
DM243/G-GA	4011907120	PERNO ANTERIORE BALLAST 16000/G-GA-6P	FRONT PIN BALLAST 16000/G-GA-6P	1	n
DM243/GA2	4011907122	PERNO ANTERIORE BALLAST 16000/GA 2 LEVE-6P	FRONT PIN BALLAST 16000/GA 2 LEVER-6P	1	n
DM243/H	4011907119	PERNO ANTERIORE BALLAST 16000/H-6P	FRONT PIN BALLAST 16000/D-6P	1	n
DM243/K-KA	4011907121	PERNO ANTERIORE BALLAST 16000/K-KA-6P	FRONT PIN BALLAST 16000/K-KA-6P	1	n
DM243/M-MA	4011907117	PERNO ANTERIORE BALLAST 16000/M-MA-6P	FRONT PIN BALLAST 16000/M-MA-6P	1	n
DM243/P	4011907123	PERNO ANTERIORE BALLAST 16000/P-6P	FRONT PIN BALLAST 16000/P-6P	1	n
DM244	4011907124	PERNO POSTERIORE BALLAST 16000 -6P	REAR PIN BALLAST 16000-6P	1	n
DM245	5040407006	RACCORDO DRITTO - M/M 3/4" GAS	STRAIGHT CONNECTOR - M/M 3/4" GAS	2	n
DM246	4020807027	RUOTA DENTATA GARDA EVO Z56-M3	GEAR - Z56-M3 GARDA EVO	1	n
DM247	4020907069	ALBERO CONVERSIONE GARDA MEC/STAR/KPS T	SPLINED SLEEVE - MEC/BALLAST/STAR/KPS T	1	n
DM250	4011707055	RONDELLA BLOCCAGGIO CALETTATO GARDA TS	SPLINED SMOOTH WASHER - GARDA TS	1	n
DM251	4020107034	MOZZO SCORREVOLE GARDA EVO	SLIDING SLEEVE - GARDA EVO	1	n
DM252	5050507029	ANELLO SEEGER D 55 E - DIN 471	CIRCLIP - D 55 E - DIN 471	1	n
DM254	4060310005	RONDELLA IN GOMMA D 25,9X15X3	RUBBER WASHER D 25,9X15X3	2	n
DM255	5060105006	LIVELLO OLIO COMPLETO SLVT 127	COMPLETE OIL LEVEL - SLVT 127	1	n
DM256	4011406014	SERBATOIO OLIO ATEX	SIDE OIL TANK ATEX	1	n
DM257	5050707009	CHIAVETTA 10X8X50	KEY - 10X8X50	1	n
DM258	5050202003	RONDELLA D 1/4" GAS	SMOOTH WASHER - D 1/4" GAS	1	n

CODE	ARTICLE	DESCRIZIONE	DESCRIPTION	Q.TY	UM
DM235	6010201083	KIT REVISIONE POMPA BALLAST 16000	REBUILD KIT - BALLAST 16000	1	n
LUBR_OIL	5070200100	OLIO BATTIONI PAGANI POMPE (5LT)	BATTIONI PAGANI VACUUM PUMP OIL (5LT)	1	n



Battioni®
Pagani

Setting the pace since 1953

0	01.05.2021	1° EMISSIONE	PROG	R DT	AM
REV.	DATA	MOTIVO	PREPARATO	APPROVATO	AUTORIZZATO



Battioni®
Pagani

Setting the pace since 1953

Via Cav. Enzo Ferrari, 2
43058 Ramoscello di Sorbolo (PR) - Italy

Ph. +39 0521 663203

Fax +39 0521 663206



www.bapag.it
info@bapag.it