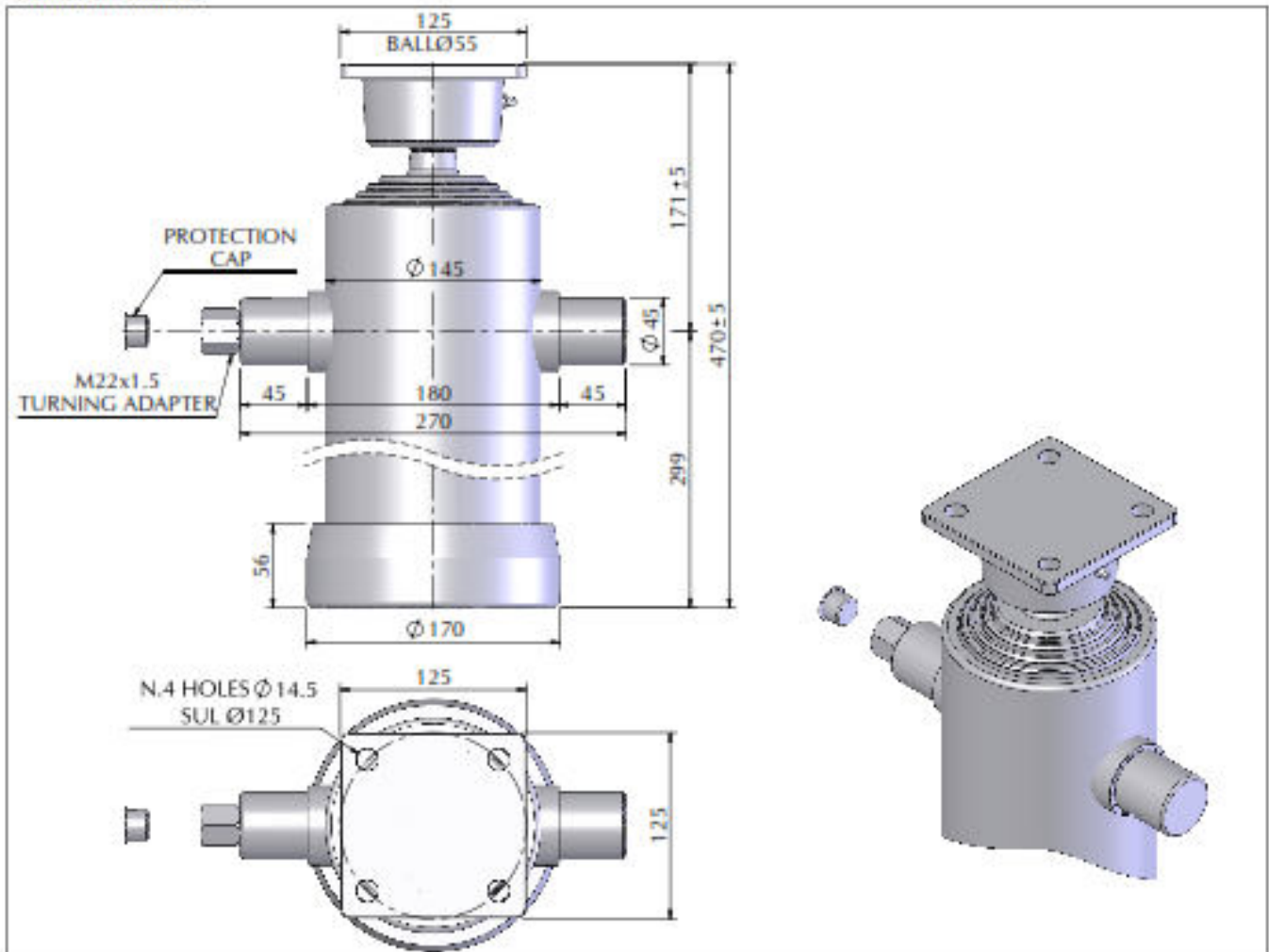


**TELESCOPIC CYLINDER**
**TYPE : BE**
**SERIE : Ø145/5**
**Technical Characteristics**

**Cylinder stages**

Ø Stage	Ø032	Ø045	Ø060	Ø075	Ø090	Ø105	Ø120	Ø140	Ø160						
Thrust at 150 Bar [Tons]	---	---	---	6.60	9.50	13.00	17.00	---	---						
Stages of cylinder				●	●	●	●								

**Specifications**

Stages number		04
Cylinder Stroke [mm]		1200
Cylinder weight only [kgs]		42.00
Working volume [Lts]		11.20
Max Working pressure [Bar]		180

**Technical Information**

<input type="checkbox"/> Oil	: See oil specification sheet
<input type="checkbox"/> Tipping weight	: Net weight + Payload

**Brackets and Accessories**

Closed brackets [ 2 Units per cylinder ]	<b>SCRESSIN</b>	1.00 [Kgs] x 2=
Open brackets [ 2 Units per cylinder ]	<b>SSAFE</b>	0.80 [Kgs] x 2=
Cradle Type	<b>CUREB</b>	12.90 [Kgs] x 1=

**Recommendation**

<input type="checkbox"/> This Maritz cylinder is designed as a lifting device only
<input type="checkbox"/> It must not be used as a structural member or be subject to side loads
<input type="checkbox"/> Pump flow in consultation with Maritz engineering department

**Advices**

All our cylinders are manufactured to suit the particular application in the differing world markets/climate. Should you require details of the exact lifting capacity of the cylinder that has been selected for your application/vehicle then please contact our technical department who will be only pleased to explain or advise.