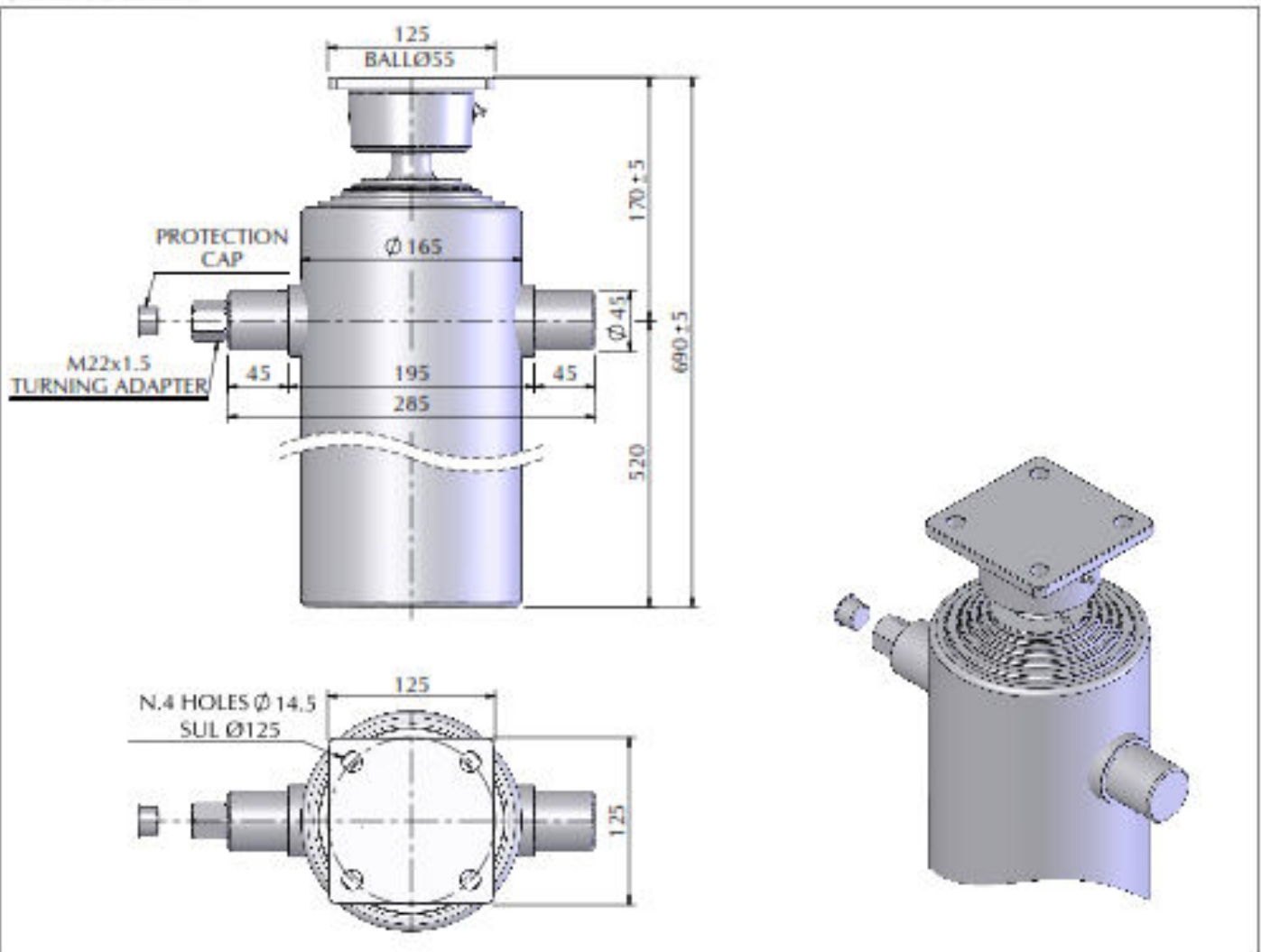


**TELESCOPIC CYLINDER**
**TYPE : BI**
**SERIE : Ø165/5**
**Technical Characteristics**

**Cylinder stages**

Ø Stage	Ø32	Ø45	Ø60	Ø75	Ø90	Ø105	Ø120	Ø140	Ø160						
Thrust at 150 Bar (Tons)	---	---	---	6.60	9.50	13.00	17.00	23.10	---						
Stages of cylinder				●	●	●	●	●							

**Specifications**

Stages number	05
Cylinder Stroke [mm]	2500
Cylinder weight only [kgs]	75.40
Working volume [Ltrs]	26.90
Max Working pressure [Bar]	180

**Technical information**

<input type="checkbox"/> Oil	: See oil specification sheet
<input type="checkbox"/> Tipping weight	: Net weight + Payload

**Advices**

All our cylinders are manufactured to suit the particular application in the differing world markets/climate. Should you require details of the exact lifting capacity of the cylinder that has been selected for your application/vehicle then please contact our technical department who will be only pleased to explain or advise.

**Brackets and Accessories**

Closed brackets [ 2 Units per cylinder ]	SCRESSIN	1.00 [Kgs] x 2=
Open brackets [ 2 Units per cylinder ]	SSA#E	0.80 [Kgs] x 2=
Cradle Type	CU#GG	15.75 [Kgs] x 1=

**Recommendation**

<input type="checkbox"/> This Mariz cylinder is designed as a lifting device only
<input type="checkbox"/> It must not be used as a structural member or be subject to side loads
<input type="checkbox"/> Pump flow in consultation with Mariz engineering department