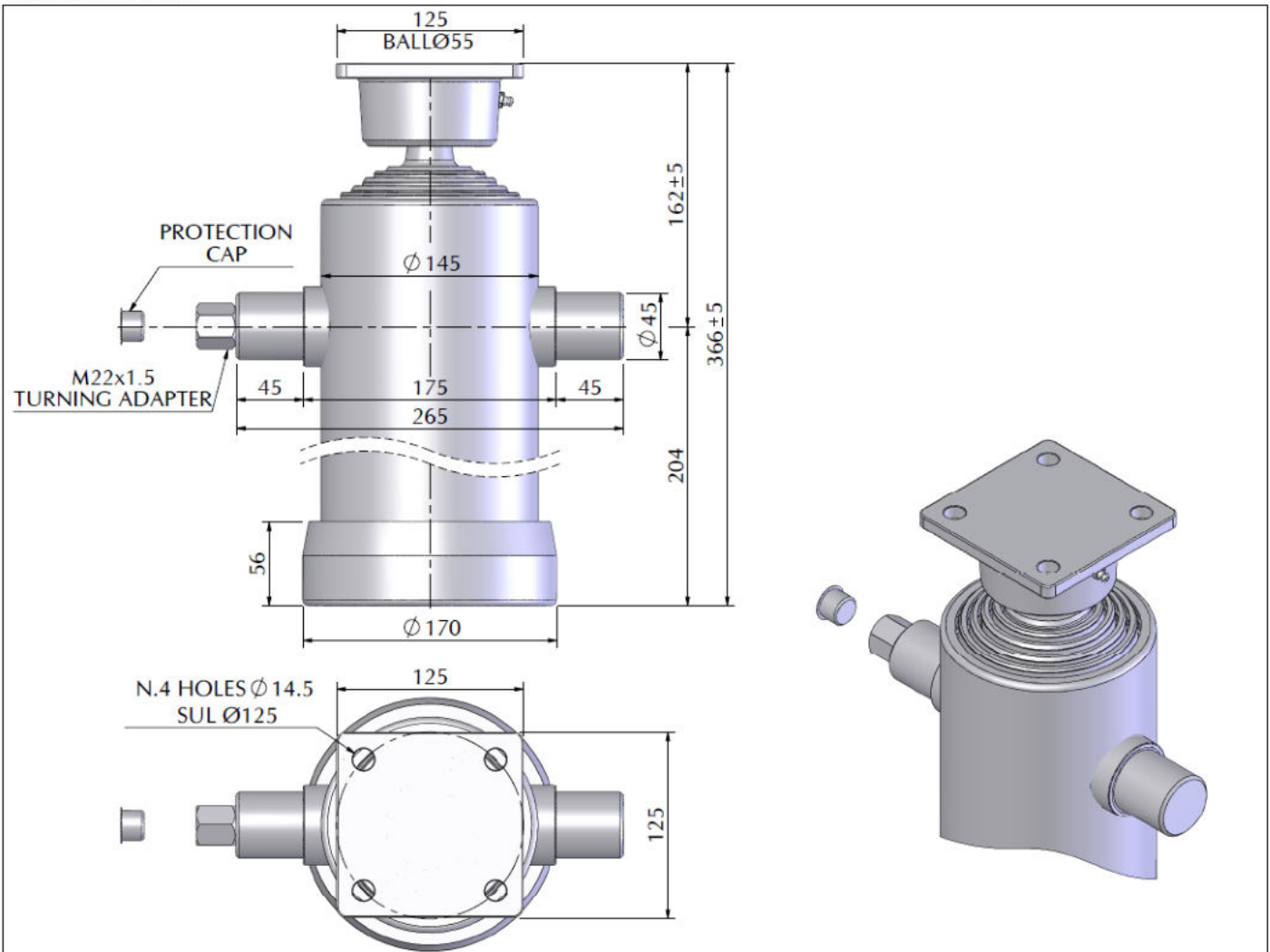


TELESCOPIC CYLINDER
TYPE : BE
SERIE : Ø145/5
Technical Characteristics

Cylinder stages

Ø Stage	Ø032	Ø045	Ø060	Ø075	Ø090	Ø105	Ø120	Ø140	Ø160						
Thrust at 150 Bar [Tons]	---	---	4.20	6.60	9.50	13.00	17.00	---	---						
Stages of cylinder			●	●	●	●	●								

Specifications

Stages number	05
Cylinder Stroke [mm]	960
Cylinder weight only [kgs]	36.75
Working volume [Ltrs]	7.10
Max Working pressure [Bar]	180

Technical Information

<input type="checkbox"/> Oil	: See oil specification sheet
<input type="checkbox"/> Tipping weight	: Net weight + Payload

Advices

All our cylinders are manufactured to suit the particular application in the differing world markets/climate. Should you require details of the exact lifting capacity of the cylinder that has been selected for your application/vehicle then please contact our technical department who will be only pleased to explain or advise.

Brackets and Accessories

Closed brackets [2 Units per cylinder]	SC#ESSIN	1.00 [Kgs] x 2=
Open brackets [2 Units per cylinder]	SSA#E	0.80 [Kgs] x 2=
Cradle Type	CU#EB	12.90 [Kgs] x 1=

Recommendation

<input type="checkbox"/> This Mariz cylinder is designed as a lifting device only
<input type="checkbox"/> It must not be used as a structural member or be subject to side loads
<input type="checkbox"/> Pump flow in consultation with Mariz engineering department