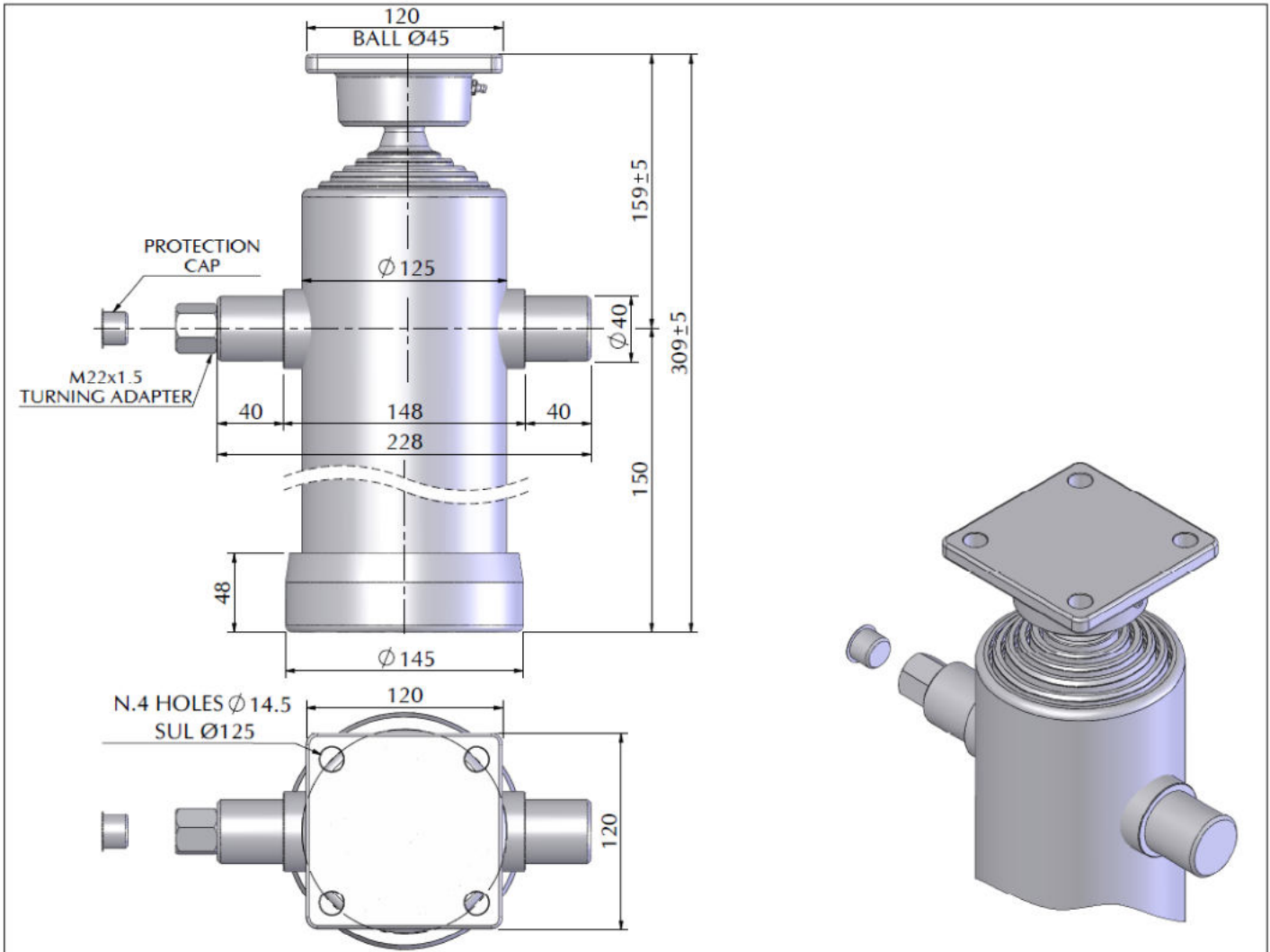


TELESCOPIC CYLINDER

TYPE : BE

SERIE : Ø125/5

Technical Characteristics



Cylinder stages

Ø Stage	Ø032	Ø045	Ø060	Ø075	Ø090	Ø105	Ø120	Ø140	Ø160						
Thrust at 150 Bar [Tons]	---	2.40	4.20	6.60	9.50	13.00	---	---	---						
Stages of cylinder		●	●	●	●	●									

Specifications

Stages number		05
Cylinder Stroke [mm]		840
Cylinder weight only [kgs]		22.25
Working volume [Ltrs]		4.50
Max Working pressure [Bar]		200

Technical Information

<input type="checkbox"/> Oil	: See oil specification sheet
<input type="checkbox"/> Tipping weight	: Net weight + Payload

Brackets and Accessories

Closed brackets [2 Units per cylinder]	SC#CSSIN	1.10 [Kgs] x 2=
Open brackets [2 Units per cylinder]	SSA#C	0.80 [Kgs] x 2=
Cradle Type	CU#AB	7.35 [Kgs] x 1=

Recommendation

<input type="checkbox"/> This Mariz cylinder is designed as a lifting device only
<input type="checkbox"/> It must not be used as a structural member or be subject to side loads
<input type="checkbox"/> Pump flow in consultation with Mariz engineering department

Advices

All our cylinders are manufactured to suit the particular application in the differing world markets/climate. Should you require details of the exact lifting capacity of the cylinder that has been selected for your application/vehicle then please contact our technical department who will be only pleased to explain or advise.