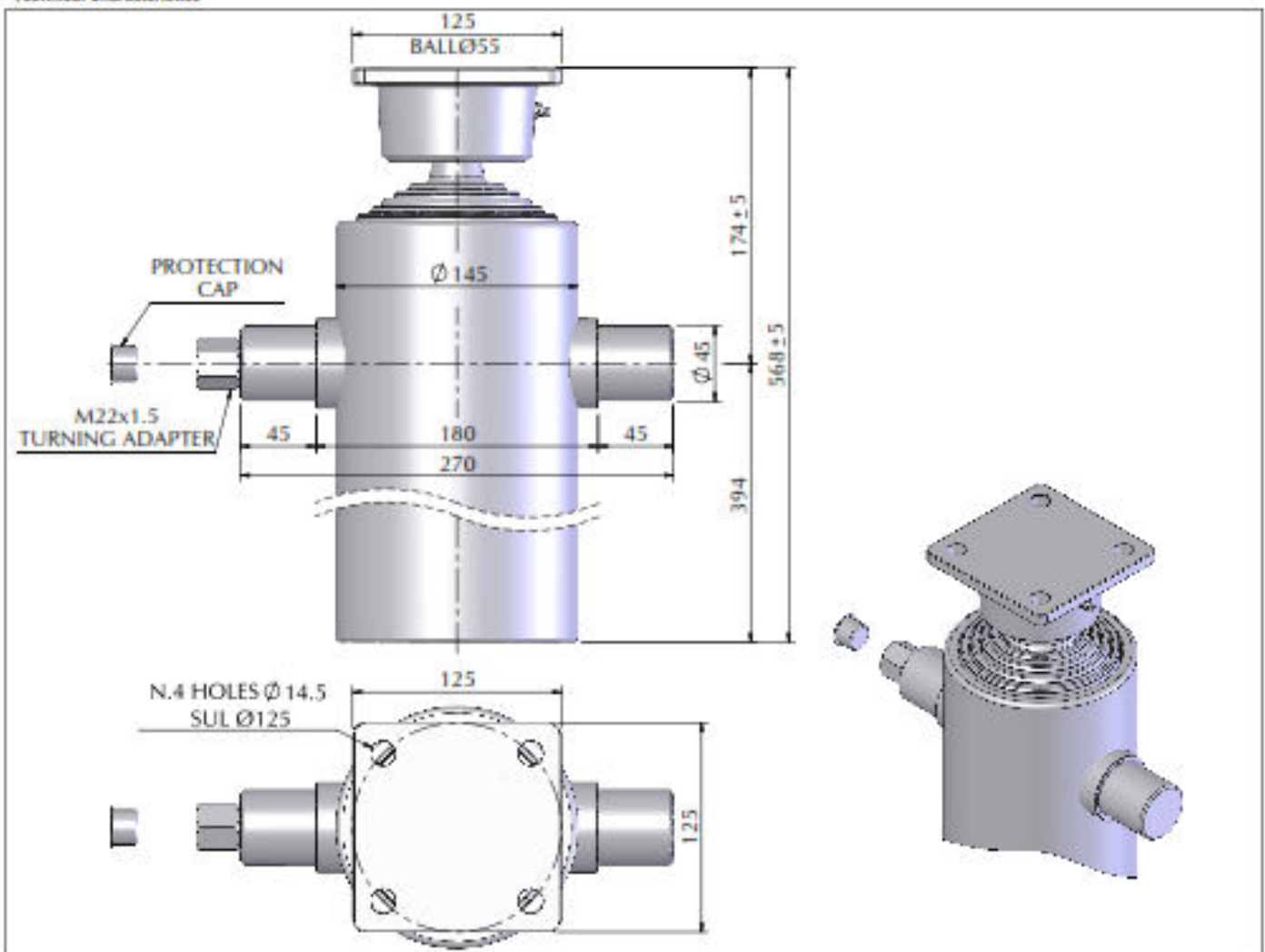


TELESCOPIC CYLINDER
TYPE : BI
SERIE : Ø145/5
Technical Characteristics

Cylinder stages

Ø Stage	Ø32	Ø45	Ø60	Ø75	Ø90	Ø105	Ø120	Ø140	Ø160					
Thrust at 150 Bar (Tons)	---	---	4.20	6.60	9.50	13.00	17.00	---	---					
Stages of cylinder			●	●	●	●	●							

Specifications

Stages number		05
Cylinder Stroke	[mm]	1875
Cylinder weight only	[kgs]	54.40
Working volume	[Ltrs]	14.0
Max Working pressure	[Bar]	180

Technical Information

<input type="checkbox"/> Oil	: See oil specification sheet
<input type="checkbox"/> Tipping weight	: Net weight + Payload

Brackets and Accessories

Closed brackets [2 Units per cylinder]	SCRESSIN	1.00 [Kgs] x 2=
Open brackets [2 Units per cylinder]	SSA#E	0.80 [Kgs] x 2=
Cradle Type	CUREB	12.90 [Kgs] x 1=

Recommendation

<input type="checkbox"/> This Mariz cylinder is designed as a lifting device only
<input type="checkbox"/> It must not be used as a structural member or be subject to side loads
<input type="checkbox"/> Pump flow in consultation with Mariz engineering department

Advices

All our cylinders are manufactured to suit the particular application in the differing world markets/climate. Should you require details of the exact lifting capacity of the cylinder that has been selected for your application/vehicle then please contact our technical department who will be only pleased to explain or advise.