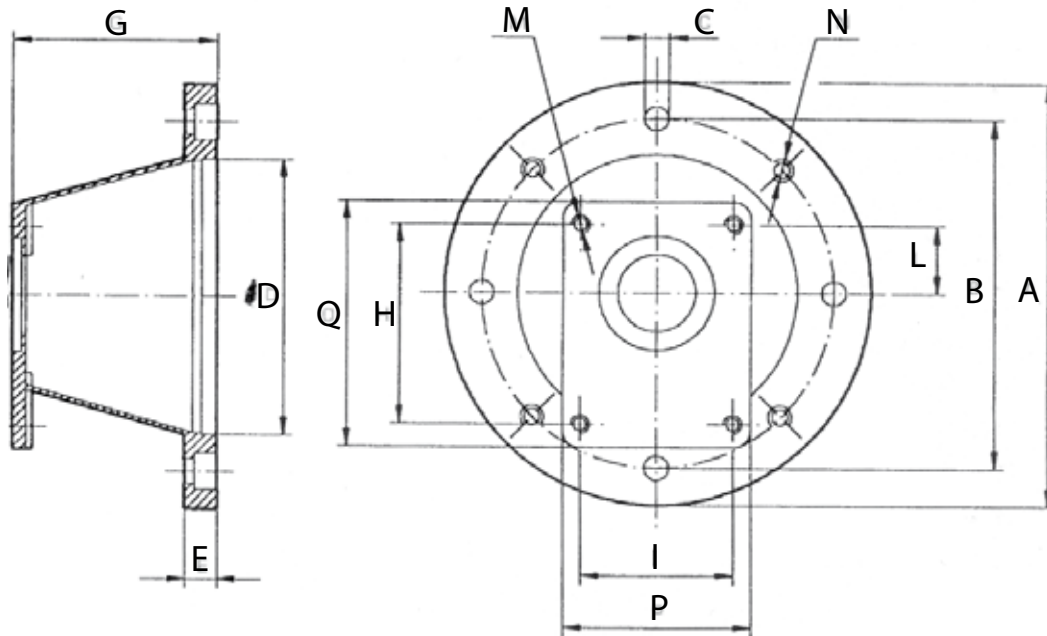


Pumpenträger für E-Motor L353 / Flansch D350 / Bgr. 3

Art.Nr.: HZBXXX800020



| Artikelnummer | Typ | Flansch | Ø A (mm) | Ø B (mm) | Ø C (mm) | Ø D (mm) | E (mm) | G (mm) | H (mm) | I (mm) | L (mm) | Ø M (mm) | Ø N (mm) | O (mm) | P (mm) |
|---------------|-------|-----------|----------|----------|----------|----------|--------|--------|--------|--------|--------|----------|----------|--------|--------|
| HZBXXX800014 | L 161 | E1/Bgr. 1 | 160 | 130 | 9 | 110 | 15 | 67 | 72,0 | 52,4 | 26,5 | M 6 | M 8 | 90 | 69 |
| HZBXXX800015 | L 201 | E1/Bgr. 1 | 200 | 165 | 11 | 130 | 18 | 87 | 72,0 | 52,4 | 26,5 | M 6 | M 10 | 90 | 69 |
| HZBXXX800016 | L 251 | E1/Bgr. 1 | 250 | 215 | 14 | 180 | 22 | 109 | 72,0 | 52,4 | 26,5 | M 6 | M 12 | 90 | 69 |
| HZBXXX801000 | L 202 | E2/Bgr. 2 | 200 | 165 | 11 | 130 | 18 | 95 | 96,2 | 71,5 | 32,2 | M 8 | M 10 | 118 | 86 |
| HZBXXX800017 | L 252 | E2/Bgr. 2 | 250 | 215 | 14 | 180 | 22 | 109 | 96,2 | 71,5 | 32,2 | M 8 | M 12 | 118 | 86 |
| HZBXXX800018 | L 302 | E2/Bgr. 2 | 300 | 265 | 14 | 230 | 24 | 130 | 96,2 | 71,5 | 32,2 | M 8 | M 12 | 118 | 86 |
| HZBXXX800062 | L 352 | E2/Bgr. 2 | 350 | 300 | 18 | 250 | 25 | 178 | 95,0 | 72,0 | 40,0 | M 6 | M 16 | - | - |
| HZBXXX800019 | L303 | E3/Bgr. 3 | 300 | 265 | 14 | 230 | 24 | 147 | 128,0 | 98,5 | 42,0 | M 10 | M 12 | 170 | 120 |
| HZBXXX800020 | L 353 | E3/Bgr. 3 | 350 | 300 | 18 | 250 | 32 | 179 | 128,0 | 98,5 | 42,0 | M 10 | M 16 | 170 | 120 |

Bgr. = Pumpengruppe

*Irtümer, technische Änderungen vorbehalten.