

547794	547795	547796	547797	547798	547799	547800	547801
Address 1	Address 2	Address 3	Address 4	Address 5	Address 6	Address 7	Address 8

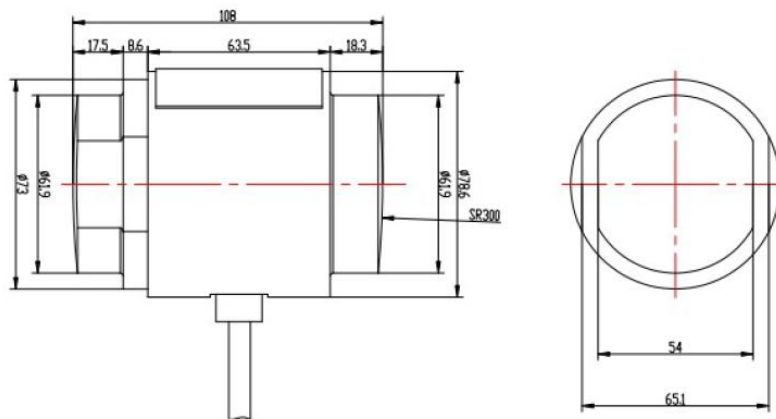
(Cable number) : AGWXXX400603 <0.38m

日期 Date	修改内容 Description	发行版本 Revision	变更编号 ECN NO.
Mar.08.2010	First release	A / 0	
Nov.27.2012	Changed P/N and cable length $\Delta$	A / 1	
Feb.20.2013	Changed the type of screw and nut $\Delta$	A / 2	--

**APPROVED**  
By Franz at 7:06 pm, Feb 28, 2013

Item	Part	Description	Quantity
J	Wire	UL1007 22AWG wire L=20mm	5 pcs
I	Screw	M12*1.0 screw, zinc alloy with nickel plated	1 pcs $\Delta$
H	Terminal	M12 male terminal (brass with gold plated)	5 pcs
G	Housing	M12 5P black male housing(molded with TPU)	1 pcs
F	Sheath	Molded with blue(pantone 7454c) TPU	15 g
E	Terminal	M12 female terminal (brass with gold plated,solder type)	5 pcs
D	Housing	M12 5P black female housing(molded with PA+GF)	1 pcs
C	Ring	Green seal ring	1 pcs

图号 File No.	A219-CP-0056	客户料号 Cus P/N	AGWXXX400603 456536 $\Delta$	品名 Name	
----------------	--------------	-----------------	---------------------------------	------------	--



Technische Daten:

communication interface:	RS485
repeatability error:	<0.03% of R.O.
creep during 30 min:	<0.03% of R.O.
Non linearity:	<0.05% of R.O.
Temperature effect on zero:	<0.02% of R.O.
Temperature effect on r.o.	<0.03% of R.O.
Insulation impedance:	>5000MΩ
Excitantion recommended :	8.5-38V DC
Temperature compensated:	-10°C...+40°C
Temperature operating	-30°C...+70°C