

Identification Guide - Guida Identificativa Bestimmungsführer - Guide d'identification



2P



3P

Reference Riferimento Bezeichnung Référence	Mobile Half Piastra Mobile Mobilteil Partie Mobile
M	KIT3FNP...
	KIT3FNP...
	KIT3FNP...
	KIT3FNP...

Reference Riferimento Bezeichnung Référence	Mobile Half Piastra Mobile Mobilteil Partie Mobile
M	KIT2FNP...
	KIT2FNP...
	KIT2FNP...
	KIT2FNP...



Model Modello Modell Modèle
PB - PS - P2 P5 - P6 - P8

Size Base BG Taille
06=3/8"
08=1/2"
10=1/2"+3/4"

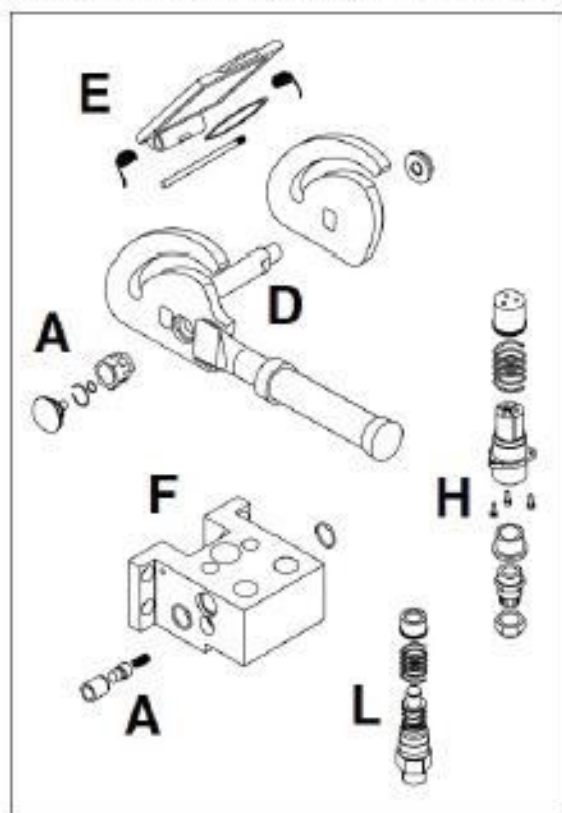


Reference Riferimento Bezeichnung Référence	Fixed Half Piastra Fissa Fixteil Partie Fixe
L	KIT2FNB...
	KIT2FNB...
	KIT2FNB...
	KIT2FNB...

Thread Filetto Anschluß Filetage
...12 GAS = 1/2" BSP
...12 NPT = 1/2" NPT
...12 SAE = 34-16 UNF
...34 GAS = 3/4" BSP
...2/2215 = M22x1.5

Accessories Guide - Accessori Identificativi Accesorios Identificación - Accessoires d'identification

Fixed Half / Parte Fixa / Placa fija / Partie Fixe



Mobile Half / Parte Móvil / Placa móvil / Partie Mobile

