

Identification Guide - Guida Identificativa Bestimmungsführer - Guide d'identification



2P



3P

Reference Riferimento Bezeichnung Référence	Mobile Half Piastra Mobile Mobilteil Partie Mobile
M	KIT3FNP... KIT3FNP... KIT3FNP... KIT3FNP...

Reference Riferimento Bezeichnung Référence	Mobile Half Piastra Mobile Mobilteil Partie Mobile
M	KIT2FNP... KIT2FNP... KIT2FNP... KIT2FNP...



Model Modello Modell Modèle
PB - PS - P2 P5 - P6 - P8

Size Base BG Taille
06=3/8" 08=1/2" 10=1/2"+3/4"



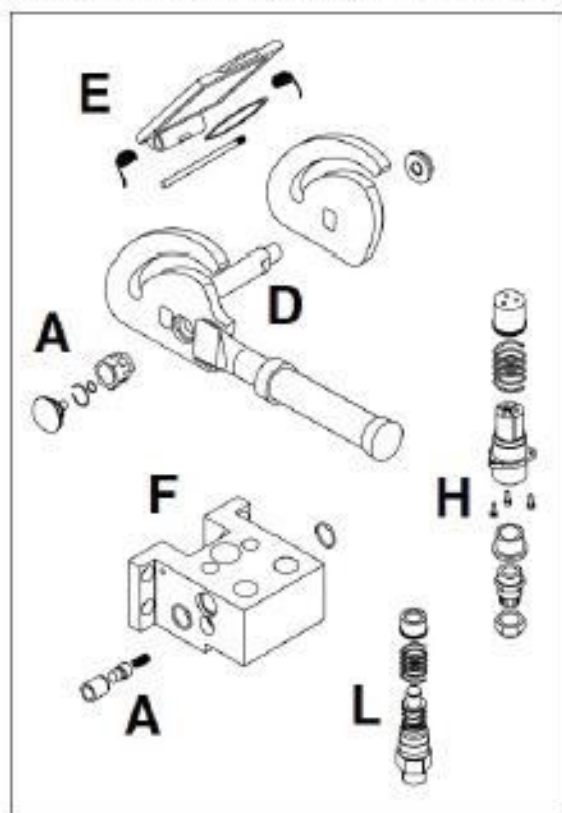
Reference Riferimento Bezeichnung Référence	Fixed Half Piastra Fissa Fixteil Partie Fixe
L	KIT2FNB... KIT2FNB... KIT2FNB...



Thread Filetto Anschluß Filetage
...12 GAS = 1/2" BSP ...12 NPT = 1/2" NPT ...12 SAE = 34-16 UNF ...34 GAS = 3/4" BSP ...2/2215 = M22x1.5

Accessories Guide - Accessori Identificativi Accesorios Identificación - Accessoires d'identification

Fixed Half / Parte Fixa / Placa fija / Partie Fixe



Mobile Half / Parte Móvil / Placa móvil / Partie Mobile

