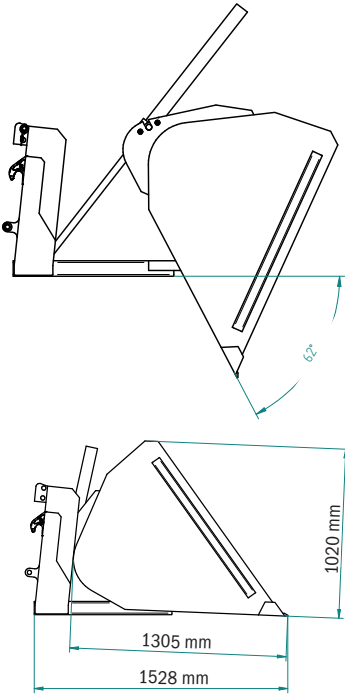


High-tilt bucket

The unloading height is about 1 metre higher, which makes it possible to load any trailer to a height of about 4 metres without difficulty with a front loader, wheel loader or forklift.

- » Fully galvanized version
- » Front loader Euro mounting without three-point hitch

- » Forklift mounting
- » Cutting edge made of wear-resistant high-tensile steel 150 x 16 mm, HB 450
- » 1 x double-acting hydraulic connection required



Art.no.	Version	Width	Content approx.	Weight approx.	Qty.
HKEFLM000000V	Galvanized	1800 mm	1.4 m ³	560 kg	Pcs.
HKEFLM000005V	Galvanized	2000 mm	1.6 m ³	610 kg	Pcs.
HKEFLM000010V	Galvanized	2200 mm	1.7 m ³	650 kg	Pcs.
HKEFLM000015V	Galvanized	2400 mm	1.9 m ³	710 kg	Pcs.
HKEFLM100000	With wheel and telescopic loader mounting				Pcs.