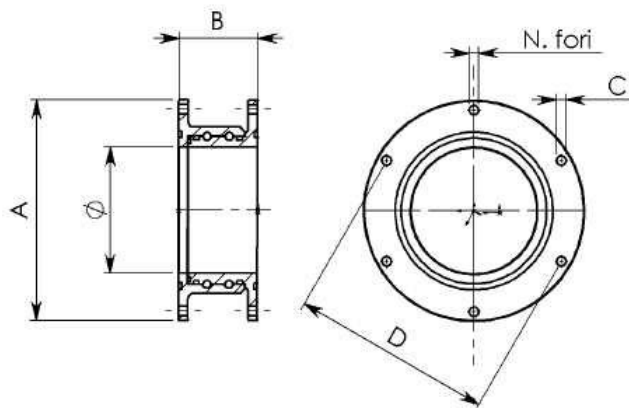
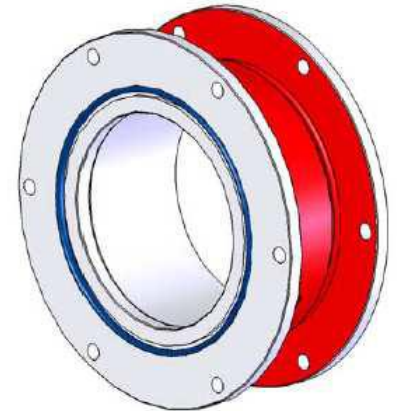


Drehgelenk

mit Dichtung



\emptyset	A	B	C	D	N. fori	Kg
100	250	127	15	220	6	16.4
150	290	127	15	260	6	21.5
200	350	127	15	320	6	28.2
250	410	127	15	370	8	37.0

$\emptyset 100$		$\emptyset 150$		$\emptyset 200$		$\emptyset 250$	
<i>DISTANZA</i>	<i>PORTATA</i>	<i>DISTANZA</i>	<i>PORTATA</i>	<i>DISTANZA</i>	<i>PORTATA</i>	<i>DISTANZA</i>	<i>PORTATA</i>
Distance	Max load	Distance	Max load	Distance	Max load	Distance	Max load
Distance	Portée	Distance	Portée	Distance	Portée	Distance	Portée
Distanz	Leistung	Distanz	Leistung	Distanz	Leistung	Distanz	Leistung
1,0 m	140 kg	1,0 m	200 kg	1,0 m	270 kg	1,0 m	320 kg
2,0 m	75 kg	2,0 m	100 kg	2,0 m	140 kg	2,0 m	165 kg
3,0 m	50 kg	3,0 m	70 kg	3,0 m	93 kg	3,0 m	111 kg
4,0 m	38 kg	4,0 m	53 kg	4,0 m	70 kg	4,0 m	84 kg
5,0 m	31 kg	5,0 m	42 kg	5,0 m	56 kg	5,0 m	67 kg