

»Duo« flat silage distributor

Hydraulically pivotable right and left

- » Three-point hitch
- » Distributes on two sides
- » Spreading width approx. 4500 mm
- » Plate diameter 1000 mm



Illustration: connected to rear hydraulics

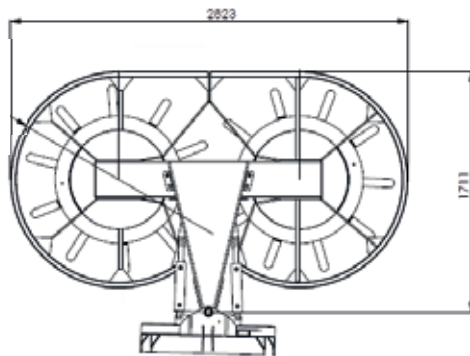


Illustration: connected to front hydraulics

Art.no.	Version	Qty.
FSVFL140010	»Duo« flat silage distributor	Pcs.