

Customer Information



Copyright © All rights reserved

Subject to change without notice. Errors and omissions excepted.

Printed by MO.SCHULZ at 10:42:46 EST 10.06.2020

SP_SSL_LEDDL ACC 102 12V Cust. Info

RL 2020-06-09

9C1 4220471-EN-00

Released

SP SSL&EL München 700

ECM

Moritz Schulz AMW

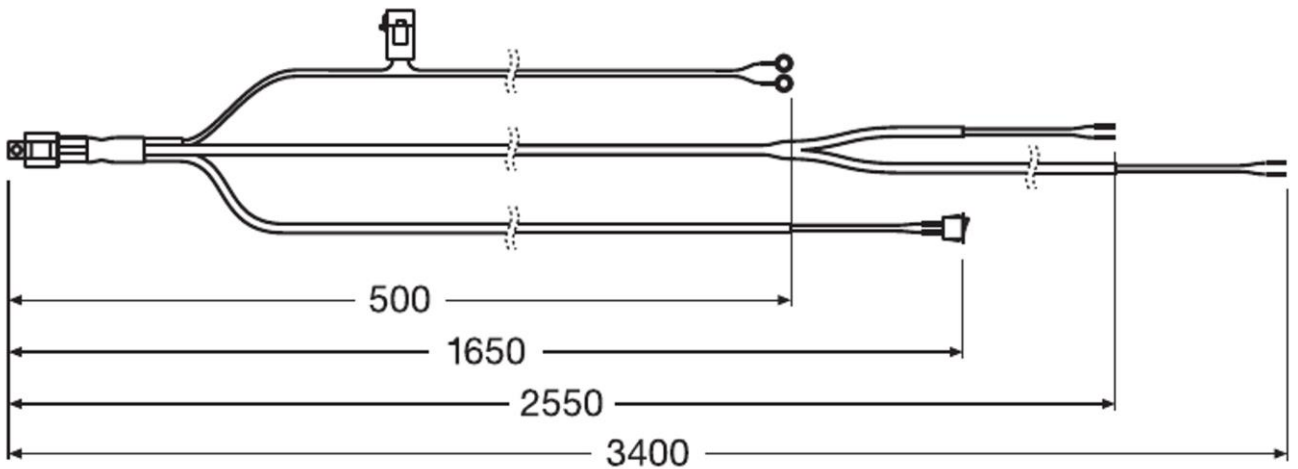
Template: ZOT 10000028

External no.:

Page 1 of 3

OSRAM GmbH: Chairman of the Supervisory Board: Peter Bauer; Managing Directors: Dr. Olaf Berlien (Chairman), Kathrin Dahnke, Dr. Stefan Kampmann;
Registered office: Munich; Commercial registry: Munich, HRB 201526; WEEE-Reg.-No. DE 71568000

Wire Harness AX 2LS – Customer Information Sheet LEDDL ACC 102



#OSRAM OLQ(V)
#OSRAM
#MO.SCHULZ
#700
#AMW #SP_SSL_LEDDL ACC 102 12V Cust. Info

2020-06-099
#RL-Released
9C1 4220471-EN-00

SP_SSL_LEDDL ACC 102 12V Cust. Info

RL 2020-06-09

9C1 4220471-EN-00

Released

SP SSL&EL München 700

ECM

Moritz Schulz AMW

Template: ZOT 10000028

External no.:

Page 2 of 3

OSRAM GmbH: Chairman of the Supervisory Board: Peter Bauer; Managing Directors: Dr. Olaf Berlien (Chairman), Kathrin Dahnke, Dr. Stefan Kampmann;
Registered office: Munich; Commercial registry: Munich, HRB 201526; WEEE-Reg.-No. DE 71568000

General tolerances in accordance with ISO 2768-v (Allgemeine Toleranzen nach ISO 2768-v)

Packaging content (Verpackungsinhalt)

No.	Part Name	Description	Qty
1	Wire Harness	Plastic	1
2	Metal Terminals	Metal	4
3	White Jacket	Plastic	4
4	Nylon intermediate Connector	Nylon	4
5	User Manual		1

Electrical data (Elektrische Daten)

Characteristics (Messwert)	Symbol	Unit (Einheit)	Major / Minor
Overall system			
Voltage (Spannung)	U	V	12V
Max. Wattage (Max. Leistung)	P	W	140W
Max. Current (Max. Stromstärke)		A	13A
Relay			
Max. Operating Current (Max. Betriebsstrom)		A	40A
Max. Operating Voltage (Max. Betriebsspannung)	U	VDC	27VDC
Normal Voltage (Normalspannung)		VDC	12VDC
Pick-up Voltage (Ansprechspannung)		VDC	8.4VDC
Drop-out Voltage (Ausfallspannung)		VDC	1.2VDC
Rated Load (Nennlast)			1A: 40A 13.5VDC
Fuse			
Max. Current (Max. Stromstärke)		A	20A

Further specifications (Weitere Spezifikationen)

Test (Prüfung)	Rated value (Sollwert)	Test specification (Norm)
Ambient Temperature range (Ta)	25°C	-30°C~+85°C
Storage Temperature range (Ts)	25°C	-40°C~+85°C
Dimensions (length)	From relay to switch: 165cm From relay to battery: 50cm From relay to lamp 1: 255cm From relay to lamp 2: 340cm	
Connector	Metal Terminals	

Customer Information



Copyright © All rights reserved

Subject to change without notice. Errors and omissions excepted.

Printed by MO.SCHULZ at 10:42:46 EST 10.06.2020

SP_SSL_LEDDL ACC 102 12V Cust. Info

RL 2020-06-09

9C1 4220471-EN-00

Released

SP SSL&EL München 700

ECM

Moritz Schulz AMW

Template: ZOT 10000028

External no.:

Page 3 of 3

OSRAM GmbH: Chairman of the Supervisory Board: Peter Bauer; Managing Directors: Dr. Olaf Berlien (Chairman), Kathrin Dahnke, Dr. Stefan Kampmann;
Registered office: Munich; Commercial registry: Munich, HRB 201526; WEEE-Reg.-No. DE 71568000

Process of manufacturing (Fertigungsprozess)

This product is designed and manufactured for the Automotive Aftermarket. Please consider the product specification to match the customer requirements. Dieses Produkt wurde für den Aftermarket entwickelt und produziert. Es ist unabdingbar, die Produktspezifikation mit den Kundenanforderungen abzugleichen.

Successive listing of changes (Änderungsfortschreibung)

Issue (Ausgabe):	Reason for change (Änderungsgrund):
09.06.2020	First Version

#OSRAM OLQ (V)
#700 #MO.SCHULZ

#AMW #SP_SSL_LEDDL ACC 102 12V Cust. Info
2020-06-09
#RL-Released
9C1 4220471-EN-00