

# Customer Information



Copyright © All rights reserved

Subject to change without notice. Errors and omissions excepted.

Printed by MO.SCHULZ at 08:54:31 EST 08.06.2020

SP\_SSL\_LEDDL113-CB 12/24V Cust. Info

RL 2020-06-07

9C1 4217279-EN-00

Released

SP SSL&EL München 700

ECM

Moritz Schulz AMW

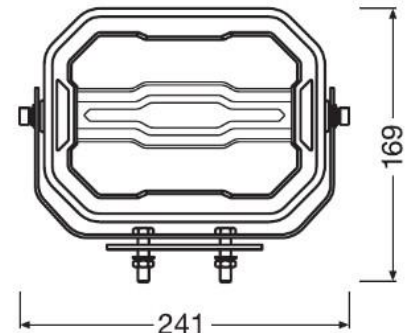
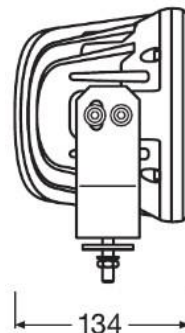
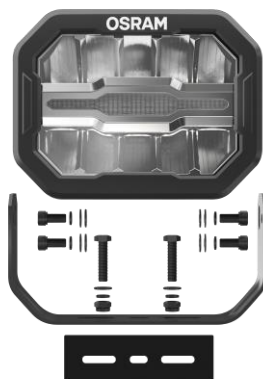
Template: ZOT 10000028

External no.:

Page 1 of 4

OSRAM GmbH: Chairman of the Supervisory Board: Peter Bauer; Managing Directors: Dr. Olaf Berlien (Chairman), Kathrin Dahnke, Dr. Stefan Kampmann;  
Registered office: Munich; Commercial registry: Munich, HRB 201526; WEEE-Reg.-No. DE 71568000

## Cube MX240-CB – Customer Information Sheet LEDDL113-CB 12/24V



General tolerances in accordance with ISO 2768-v (Allgemeine Toleranzen nach ISO 2768-v)

#OSRAM 0LQ(V) #700 #MO.SCHULZ # #AMW #SP\_SSL\_LEDDL113-CB 12/24V Cust. Info #RL-Released 2020-06-07 9C1 4217279-EN-00

**SP\_SSL\_LEDDL113-CB 12/24V Cust. Info**

**RL 2020-06-07**

**9C1 4217279-EN-00**

Released

SP SSL&EL München 700

ECM

Moritz Schulz AMW

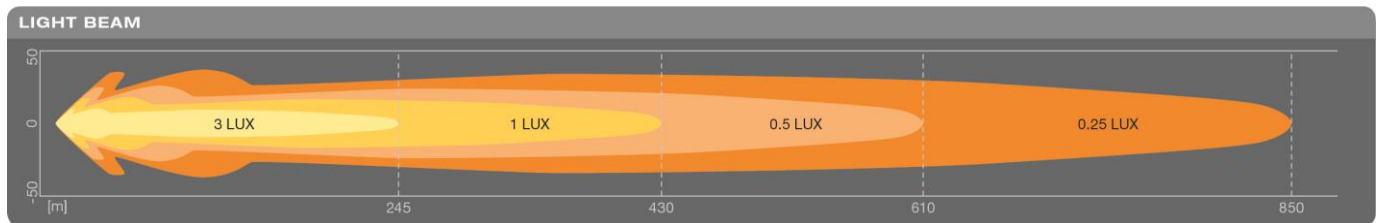
Template: ZOT 10000028

External no.:

Page 2 of 4

OSRAM GmbH: Chairman of the Supervisory Board: Peter Bauer; Managing Directors: Dr. Olaf Berlien (Chairman), Kathrin Dahnke, Dr. Stefan Kampmann;  
Registered office: Munich; Commercial registry: Munich, HRB 201526; WEEE-Reg.-No. DE 71568000

## Light distribution (Lichtverteilung)



## Packaging content (Verpackungsinhalt)

No.	Part Name	Description	Qty
1	Driving Light - cube	Housing: AL with black powder painting	1
2	M6 Inter hexagon screw	Stainless Steel	2
3	M8 Outer hexagon screw	Stainless Steel	1
4	M8 Spring Washer	Stainless Steel	1
5	M8 Flat Washer	Stainless Steel	1
6	M8 Inter hexagon screw	Stainless Steel	1
7	M8 hexagonal nut	Stainless Steel	2
8	Bottom Bracket	Stainless Steel	1
9	Wire and Connector		1
10	User Manual		1

## Standards and regulations (Normen und Vorschriften)

EMC/EMI	ECE R10
IP Class	IP69K
ECE	ECE R10, R7, R112
Other legal requirements	RoHS, REACH

**SP\_SSL\_LEDDL113-CB 12/24V Cust. Info**

**RL 2020-06-07**

**9C1 4217279-EN-00**

Released  
ECM

SP SSL&EL München 700  
Moritz Schulz AMW

Template: ZOT 10000028

External no.:

Page 3 of 4

OSRAM GmbH: Chairman of the Supervisory Board: Peter Bauer; Managing Directors: Dr. Olaf Berlien (Chairman), Kathrin Dahnke, Dr. Stefan Kampmann;  
Registered office: Munich; Commercial registry: Munich, HRB 201526; WEEE-Reg.-No. DE 71568000

## Electrical and photometrical data (Elektrische und lichttechnische Daten)

Characteristics (Messwert)	Symbol	Unit (Einheit)	Major / Minor	Tolerance (Toleranz) [%]
Voltage (Spannung)	U	V	12/24V	9V-33V
Wattage (Leistung) @25°C	P	W	Driving light: 70W Position light: 1.5W	±10%
Steady State luminous flux (Lichtstrom) (30min. @25°C & 13,2V Goniometer: Vertical & horizontal : ±90°)	Φ	lm	Driving light: 4000lm	±10%

## Life time (Lebensdauer)

Test (Prüfung)			
Life time average (@25°C)	T <sub>c</sub>	h	5.000

## Further specifications (Weitere Spezifikationen)

Test (Prüfung)	Rated value (Sollwert)	Test specification (Norm)
Color temperature (Farbtemperatur)	Cold White (6000K)	+/- 500K
Ambient Temperature range (T <sub>a</sub> )	25°C	-40°C~+85°C
Storage Temperature range (T <sub>s</sub> )	25°C	-40°C~+105°C
Light distance @1lx	≥430m	
Number of LED's	Driving light: 10 pcs. Position light: 16 pcs.	
Weight (light + application material)	3346g	±167g
Connector	DT06-3S PBT water proof	
Wire length	100cm	
Polarity	Polarity Protection	

## Process of manufacturing (Fertigungsprozess)

This product is designed and manufactured for the Automotive Aftermarket. Please consider the product specification to match the customer requirements. Dieses Produkt wurde für den Aftermarket entwickelt und produziert. Es ist unabdingbar, die Produktspezifikation mit den Kundenanforderungen abzugleichen.

## Successive listing of changes (Änderungsfortschreibung)

Issue (Ausgabe):	Reason for change (Änderungsgrund):
05.06.2020	First Version

# Customer Information



Copyright © All rights reserved

Subject to change without notice. Errors and omissions excepted.

Printed by MO.SCHULZ at 08:54:31 EST 08.06.2020

**SP\_SSL\_LEDDL113-CB 12/24V Cust. Info**

**RL 2020-06-07**

**9C1 4217279-EN-00**

Released

SP SSL&EL München 700

ECM

Moritz Schulz AMW

Template: ZOT 10000028

External no.:

Page 4 of 4

OSRAM GmbH: Chairman of the Supervisory Board: Peter Bauer; Managing Directors: Dr. Olaf Berlien (Chairman), Kathrin Dahnke, Dr. Stefan Kampmann;  
Registered office: Munich; Commercial registry: Munich, HRB 201526; WEEE-Reg.-No. DE 71568000

OSRAM OLQ(V)  
#OSRAM  
#MO.SCHULZ  
#700  
#AMW  
#SP\_SSL\_LEDDL113-CB 12/24V Cust. Info  
#  
2020-06-07  
#RL-Released  
9C1 4217279-EN-00