

# Customer Information

Copyright © All rights reserved

Subject to change without notice. Errors and omissions excepted.

# OSRAM

Printed by MO.SCHULZ at 08:43:54 EST 09.06.2020

AM\_F-AFTM\_LEDDL119-WD22W12/24V\_CustInfoRL 2020-06-09

9C1 4209965-EN-00

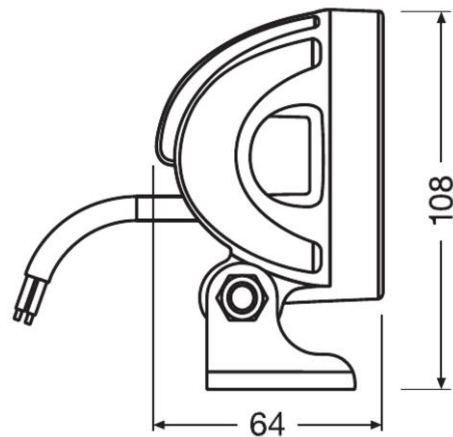
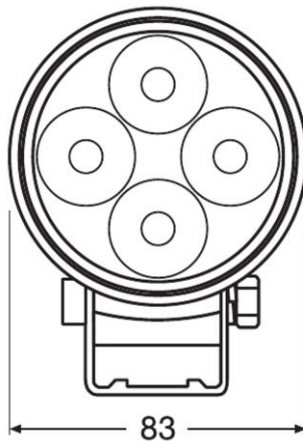
Released  
ECM

SP SSL&EL München 700  
Moritz Schulz AMW  
page 1 of 3

template: ZOT 10000020

OSRAM GmbH: Chairman of the Supervisory Board: Peter Bauer; Managing Directors: Dr. Olaf Berle  
Registered office: Munich; Commercial registry: Munich, HRB 201526; WEEE-Reg.-No. DE 71568000

## Round VX80-WD - Customer Information Sheet LEDDL119-WD 12/24V



AM\_F-AFTM\_LEDDL119-WD22W12/24V\_CustInfoRL 2020-06-09

9C1 4209965-EN-00

Released  
ECM

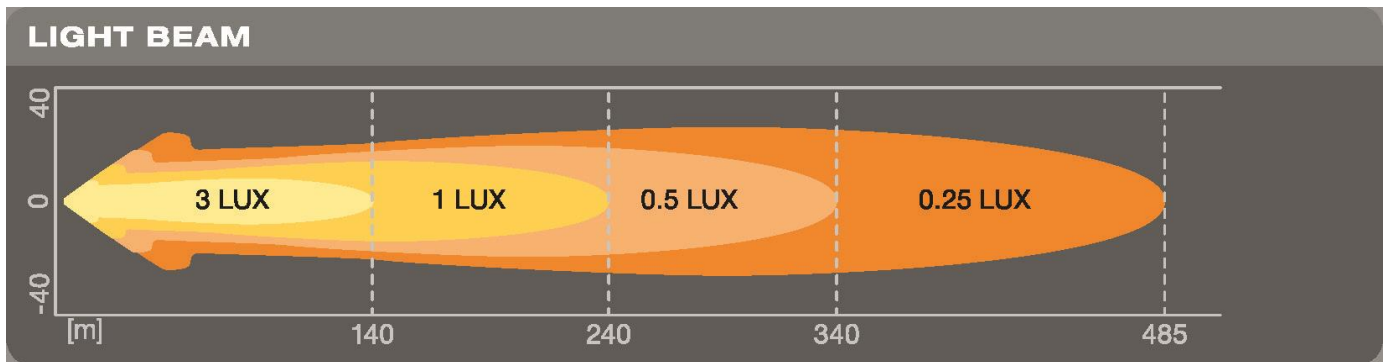
SP SSL&EL München 700  
Moritz Schulz AMW  
page 2 of 3

template: Z01 10000020

OSRAM GmbH: Chairman of the Supervisory Board: Peter Bauer; Managing Directors: Dr. Olaf Berle  
Registered office: Munich; Commercial registry: Munich, HRB 201526; WEEE-Reg.-No. DE 71568000

General tolerances in accordance with ISO 2768-v (Allgemeine Toleranzen nach ISO 2768-v)

## Light distribution (Lichtverteilung)



## Packaging content (Verpackungsinhalt)

No.	Part Name	Description	Qty
1	Driving light - round	Housing: AL with black powder painting	1
2	U-Bracket	Stainless Steel	1
3	Screw M8x50	Stainless Steel	1
4	Spring Washer M8	Stainless Steel	1
5	Nut M8	Stainless Steel	1
6	Screw M10x30	Stainless Steel	1
7	Spring Washer M10	Stainless Steel	1
8	Nut M10	Stainless Steel	1
9	User Manual		1

## Standards and regulations (Normen und Vorschriften)

EMC/EMI	ECE R10
IP Class	IP67
ECE	ECE R10, R112
Other legal requirements	SAE

## Electrical and photometrical data (Elektrische und lichttechnische Daten)

Characteristics (Messwert)	Symbol	Unit (Einheit)	Major / Minor	Tolerance (Toleranz) [%]
Voltage (Spannung)	U	V	12/24V	10V-32V
Wattage (Leistung) @25°C	P	W	22W	±10%
Steady State luminous flux (Lichtstrom) (30min. @25°C & 13,2V Goniometer: Vertical & horizontal : ±90°)	Φ	lm	1150lm	±10%

# Customer Information

Copyright © All rights reserved

Subject to change without notice. Errors and omissions excepted.



Printed by MO.SCHULZ at 08:43:54 EST 09.06.2020

**AM\_F-AFTM\_LEDDL119-WD22W12/24V\_CustInfcRL 2020-06-09**

**9C1 4209965-EN-00**

Released

SP SSL&EL München 700

ECM

Moritz Schulz AMW

template: Z01 10000020

OSRAM GmbH: Chairman of the Supervisory Board: Peter Bauer; Managing Directors: Dr. Olaf Berthel External no.:

Registered office: Munich; Commercial registry: Munich, HRB 201526; WEEE-Reg.-No. DE 71568000

#OSRAM 0LQ(V)  
#700 #MO.SCHULZ  
#AMW #AM\_F-AFTM\_LEDDL119-WD22W12/24V\_CustInfo #  
2020-06-09  
#RL-Released  
9C1 4209965-EN-00

## Life time (Lebensdauer)

Test (Prüfung)			
Life time average (@25°C)	Tc	h	5.000

## Further specifications (Weitere Spezifikationen)

Test (Prüfung)	Rated value (Sollwert)	Test specification (Norm)
Color temperature (Farbtemperatur)	Cold White (6000K)	+/- 500K
Ambient Temperature range (Ta)	25°C	-40°C~+65°C
Storage Temperature range (Ts)	25°C	-40°C~+85°C
Derating, dimming	NTC overheat protection	
Light distance @1lx	≥240m	
Number of LED's	4 pcs.	
Weight (light + application material)	455g	
Connector	Open wire, Black wire: ground, Red wire: positive	
Wire length	35cm	
Polarity	Polarity Protection	

## Process of manufacturing (Fertigungsprozess)

This product is designed and manufactured for the Automotive Aftermarket. Please consider the product specification to match the customer requirements. Dieses Produkt wurde für den Aftermarket entwickelt und produziert. Es ist unabdingbar, die Produktspezifikation mit den Kundenanforderungen abzugleichen.

## Successive listing of changes (Änderungsfortschreibung)

Issue (Ausgabe):	Reason for change (Änderungsgrund):
05.06.2020	First Version