

AM_F-AFTM_LEDWL101-SP20W12/24V_CustInfoRL 2020-06-09

9C1 4209968-EN-00

Released

SP SSL&EL München 700

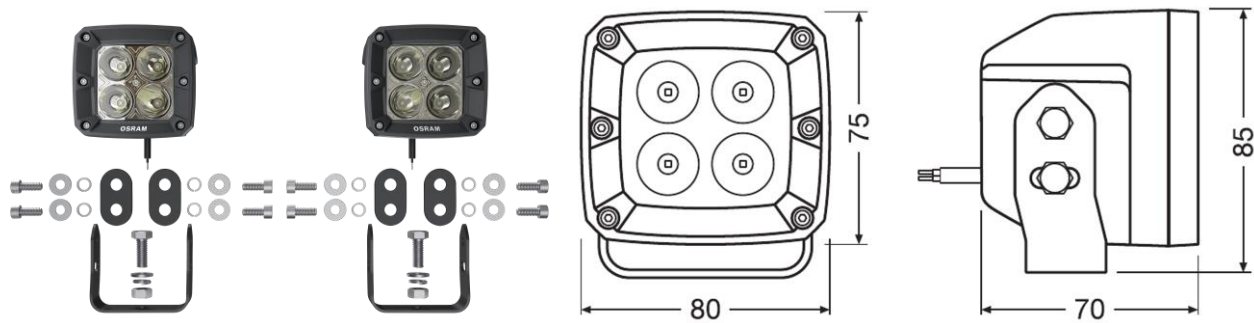
ECM

Moritz Schulz AMW

OSRAM GmbH: Chairman of the Supervisory Board: Peter Bauer; Managing Directors: Dr. Olaf Berlin (Chairman), Kathrin Dehake, Dr. Stefan Kemmann
Registered office: Munich; Commercial registry: Munich, HRB 201526; WEEE-Reg.-No. DE 7156800 External no.:

Cube VX80-SP - Customer Information Sheet

LEDWL101-SP 12/24V



Customer Information



Printed by MO.SCHULZ at 10:31:16 EST 10.06.2020

AM_F-AFTM_LEDWL101-SP20W12/24V_CustInfoRL 2020-06-09

9C1 4209968-EN-00

Released

SP SSL&EL München 700

ECM

Moritz Schulz AMW

OSRAM GmbH: Chairman of the Supervisory Board: Peter Bauer; Managing Directors: Dr. Olaf Berlin (Chairman), Kathrin Dehake, Dr. Stefan Kemmann
Registered office: Munich; Commercial registry: Munich, HRB 201526; WEEE-Reg.-No. DE 7156800

General tolerances in accordance with ISO 2768-v (Allgemeine Toleranzen nach ISO 2768-v)

#OSRAM OLQ (V)

#700 #MO.SCHULZ

#AMW #AM_F-AFTM_LEDWL101-SP20W12/24V_CustInfo #

2020-06-09

#RL-Released

9C1 4209968-EN-00

AM_F-AFTM_LEDWL101-SP20W12/24V_CustInfoRL 2020-06-09

9C1 4209968-EN-00

Released

SP SSL&EL München 700

ECM

Moritz Schulz AMW

OSRAM GmbH: Chairman of the Supervisory Board: Peter Bauer; Managing Directors: Dr. Olaf Berlin (Chairman), Kathrin Dehake, Dr. Stefan Kemmann
Registered office: Munich; Commercial registry: Munich, HRB 201526; WEEE-Reg.-No. DE 7156800 External no.:

#OSRAM_OLQ(V)

#700 #MO.SCHULZ

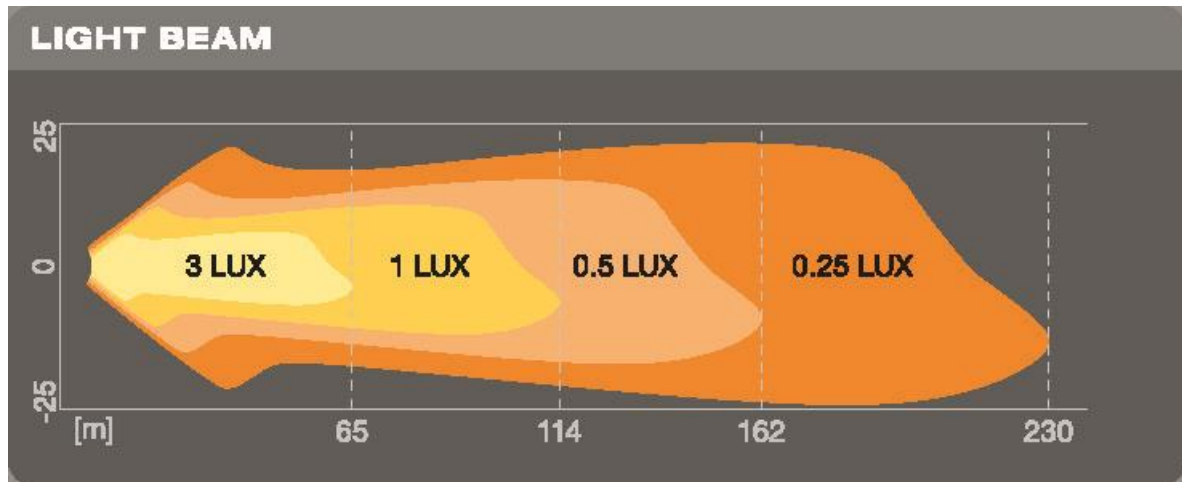
#AMW #AM_F-AFTM_LEDWL101-SP20W12/24V_CustInfo #

2020-06-09

#RL-Released

9C1 4209968-EN-00

Light distribution (Lichtverteilung)



Packaging content (Verpackungsinhalt)

No.	Part Name	Description	Qty
1	LED light - cube	Housing: AL with black powder painting	2
2	U-Bracket	Stainless Steel	2
3	Screw M6x15	Stainless Steel	8
4	Plain Washer M6	Stainless Steel	8
5	Spring Washer M6	Stainless Steel	8
6	Screw M8x25	Stainless Steel	2
7	Plain Washer M8	Stainless Steel	2
8	Spring Washer M8	Stainless Steel	2
9	Nut M8	Stainless Steel	2
10	User Manual		1

Standards and regulations (Normen und Vorschriften)

EMC/EMI	ECE R10
IP Class	IP67
ECE	ECE R10
Other legal requirements	SAE

Electrical and photometrical data (Elektrische und lichttechnische Daten)

Characteristics (Messwert)	Symbol	Unit (Einheit)	Major / Minor	Tolerance (Toleranz) [%]
Voltage (Spannung)	U	V	12/24V	10V-32V
Wattage (Leistung) @25°C	P	W	20W	±10%
Steady State luminous flux (Lichtstrom) (30min. @25°C & 13,2V Goniometer: Vertical & horizontal : ±90°)	Φ	lm	1300lm	±10%

AM_F-AFTM_LEDWL101-SP20W12/24V_CustInfoRL 2020-06-09

9C1 4209968-EN-00

Released

SP SSL&EL München 700

ECM

Moritz Schulz AMW

OSRAM GmbH: Chairman of the Supervisory Board: Peter Bauer; Managing Directors: Dr. Olaf Berlin (Chairman), Kathrin Dehake, Dr. Stefan Kemmann
 Registered office: Munich; Commercial registry: Munich, HRB 201526; WEEE-Reg.-No. DE 7156800C External no.:

Life time (Lebensdauer)

Test (Prüfung)			
Life time average (@25°C)	Tc	h	5.000

Further specifications (Weitere Spezifikationen)

Test (Prüfung)	Rated value (Sollwert)	Test specification (Norm)
Color temperature (Farbtemperatur)	Cold White (6000K)	+/- 500K
Ambient Temperature range (Ta)	25°C	-40°C~+65°C
Storage Temperature range (Ts)	25°C	-40°C~+85°C
Derating, dimming	NTC overheat protection	
Light distance @1lx	≥114m	
Number of LED's	4 pcs.	
Weight (light + application material)	486g	
Connector	Open wire, Black wire: ground, Red wire: positive	
Wire length	35cm	
Polarity	Polarity Protection	

Process of manufacturing (Fertigungsprozess)

This product is designed and manufactured for the Automotive Aftermarket. Please consider the product specification to match the customer requirements. Dieses Produkt wurde für den Aftermarket entwickelt und produziert. Es ist unabdingbar, die Produktspezifikation mit den Kundenanforderungen abzugleichen.

Successive listing of changes (Änderungsfortschreibung)

Issue (Ausgabe):	Reason for change (Änderungsgrund):
08.06.2020	First Version

#OSRAM_OLQ(V) #700 #MO.SCHULZ #AMW #AM_F-AFTM_LEDWL101-SP20W12/24V_CustInfo # 2020-06-09 #RL-Released 9C1 4209968-EN-00